

BALL VALVE WITH HANDLE

BS 1145

Ref. : BS1145 pas

Rev. : A

Date : 21/10/2015



PA Ventil AB

GO WITH OUR FLOW

APPLICATION

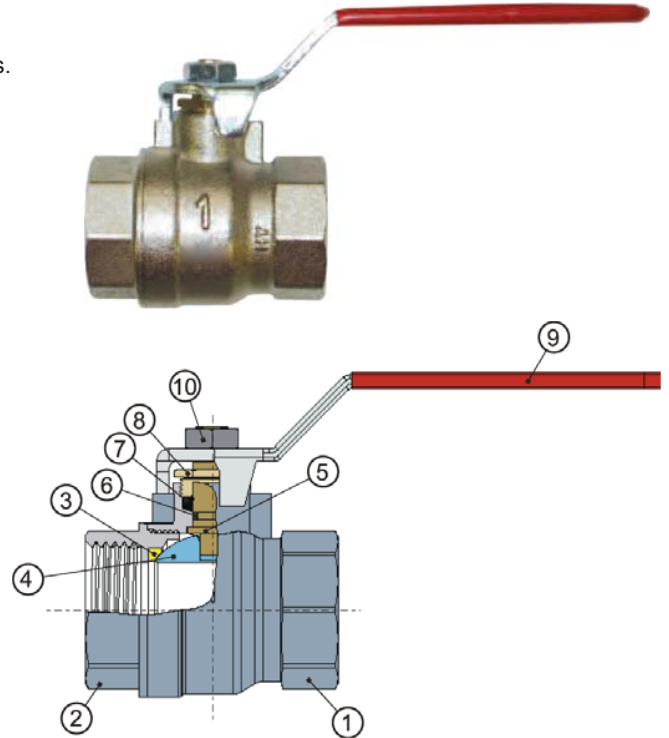
General use: Hydraulic, sanitary, irrigation and compressed air industries.

GENERAL CHARACTERISTICS

Range from DN 2"1/2 to DN4".
 Standard bore.
 PTFE packing
 Steel handle
 Connection BSP according to ISO 228-1.

CONSTRUCTION

10	Nut	Zinc plated steel
9	Handle	Steel + plastic
8	Packing	Brass CW 614 N according to EN 12164/98
7	Washer	PTFE
6	O ring	Nitrile
5	Stem	Brass CW 614 N according to 12164/98
4	Ball	Brass CW 617 N according to EN 12165/98
3	Seat	PTFE
2	End	Brass CW 617 N according to EN 12165/98
1	Body	Brass CW 617 N according to EN 12165/98
Pos.	Description	Material



DIMENSIONS

DN	Ø	F	S	H	L	Kv	Weight (kg)	
65	2"1/2	50	18	109	92	140	265	1,800
80	3"	61	20	129	108	220	510	3,000
100	4"	74	23	148	116	220	790	4,550

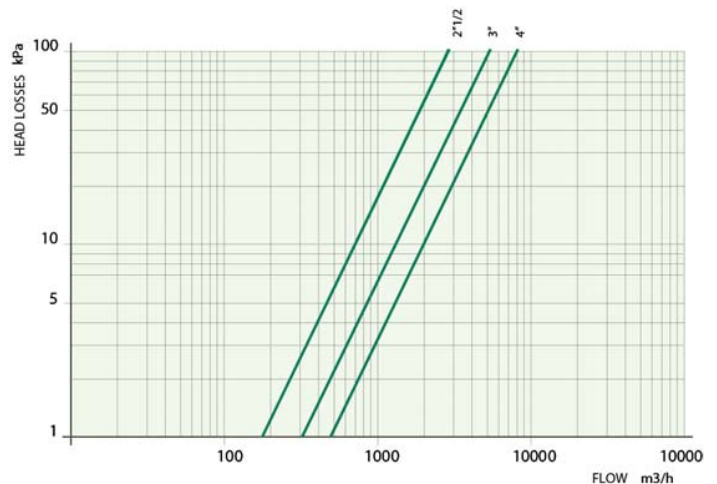
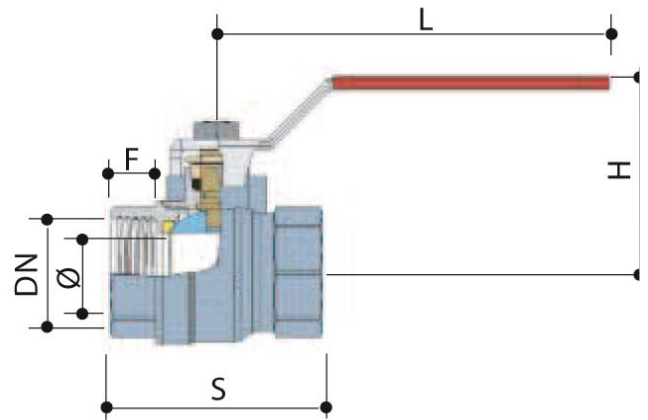
WORKING CONDITIONS

Maximum working temperature : -10°C / + 100°C

Maximum working pressure : 16 bar

STANDARDS

Threaded BSP female connection according to ISO 228-1



The photographs and technical art works are not contractual. The specifications of the presented products are open to modifications without previous advice.