

# 3 PIECES FULL BORE BALL VALVE PN 100

## BS 5378 BW

Ref. : BS 5378BW pas

Rev. : Initial

Date : 19/09/2013



PA Ventil AB

GO WITH OUR FLOW

### APPLICATION

General use : Chemical and pharmaceutical industries, petrochemical industries, hydraulic installation, compressed air

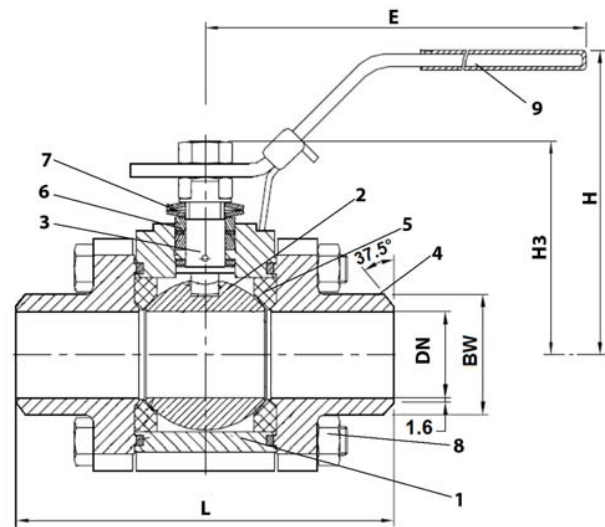
### GENERAL CHARACTERISTICS

- From DN1/4" to DN 2".
- Full bore
- Anti blow-out stem
- Special gland pack with elastic washer
- Antistatic device
- Fire safe according to API 607
- Locking device
- Handwheel and stem extension ( optional )
- ISO 5211 mounting pad
- Fully encapsulated bolts
- Pressure class 600 lbs



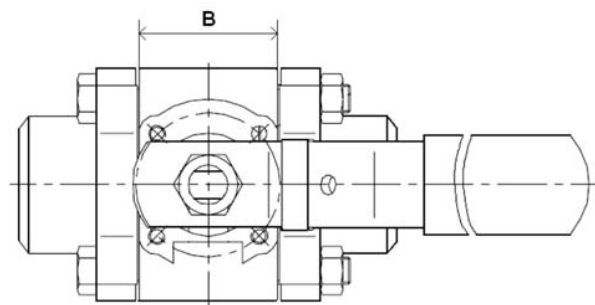
### CONSTRUCTION

9	Handle	Stainless steel 304
8	Tie rod packing	Stainless steel 304
7	Packing nut	Stainless steel 304
6	Packing	Graphit
5	Seat	PTFE with 15% Glass Fiber
4	Ends	ASTM A216 WCB
3	Stem	Stainless steel 316
2	Ball	ASTM A351 CF8M
1	Body	ASTM A216 WCB
<b>Pos.</b>	<b>Description</b>	<b>Material</b>



### DIMENSIONS

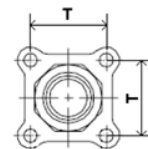
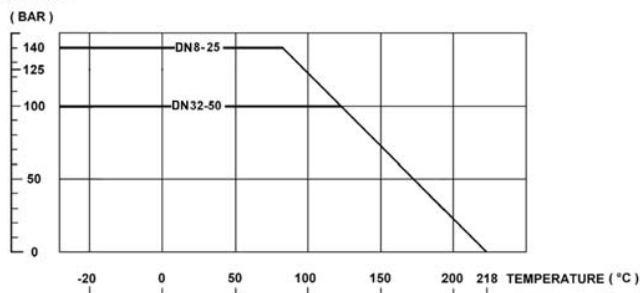
DN		L	B	E	H	H3	T	BW	Weight (kg)
mm	inch								
8	1/4"	64,8	19,6	134	64	37,2	32	13,7	0,63
10	3/8"	64,8	19,6	134	64	37,2	32	17,5	0,64
15	1/2"	72,5	24	134	72	45,1	39	21,7	0,81
20	3/4"	85,4	31	134	77	51,4	45	27,2	1,30
25	1"	105,3	40,7	170	83	61,2	50	34	1,97
32	1 1/4"	111	47,7	170	88	64,2	58	42,7	2,70
40	1 1/2"	127,3	55,6	207	104	79	68	48,6	4,08
50	2"	145	70	215	133	99,4	82	60,5	6,60



### WORKING CONDITIONS

- Steam : 12 bar maximum
- Maximum working temperature : -20°C / + 218°C
- Maximum working pressure : 100 to 140 bar following the DN

### PRESSURE



### STANDARDS

Design according to EN 12516-1 Class 600, ASME B16.34. Connection BW.



The photographs and technical art works are not contractual. The specifications of the presented products are open to modifications without previous advice.