

# 3 PIECES FULL BORE BALL VALVE PN 63 BS 5379 BSP

Ref. : BS 5379BSP pas

Rev. : Initial

Date : 11/12/2014



PA Ventil AB

GO WITH OUR FLOW

## APPLICATION

General use : Chemical and pharmaceutical, industries, petrochemical industries.

## GENERAL CHARACTERISTICS

From DN1/4" to DN 4".  
Full bore.  
Anti blowing-out stem.  
PTFE packing.  
Locking device.  
Two parts seats from DN1/4" up to DN1"1/2".  
Stem extension in stainless steel 304 (option).  
Blue handle cover possible.

## CONSTRUCTION

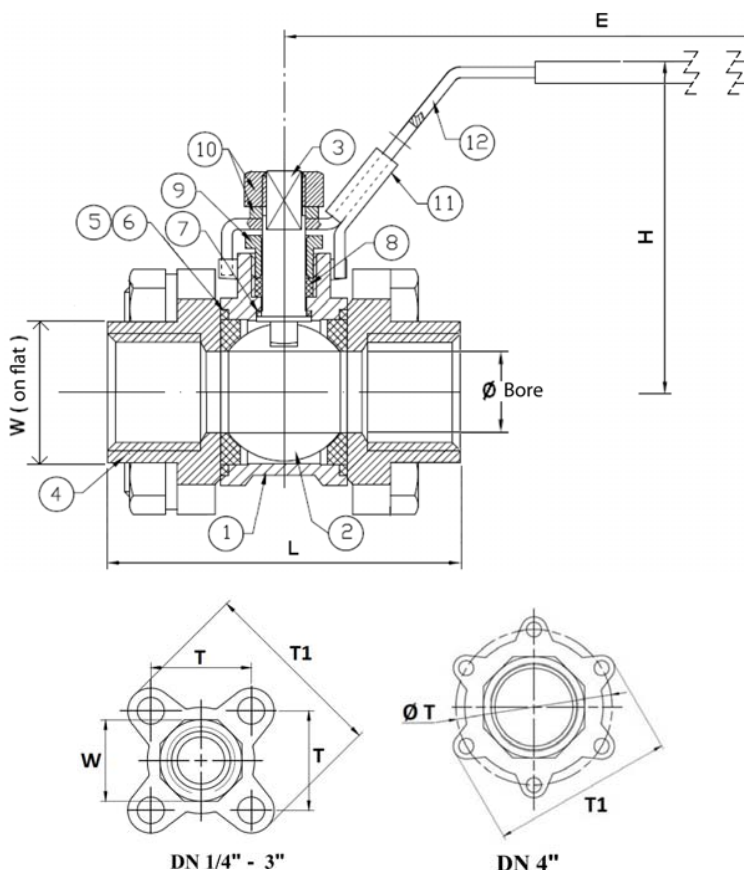
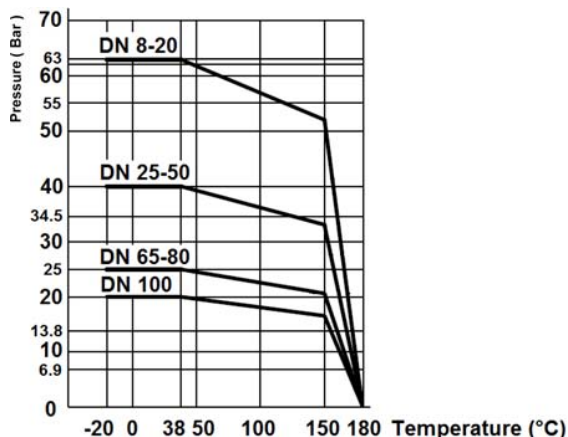
12	Handle	Stainless steel 304
11	Locking device	Stainless steel 304
10	Handle nut	Stainless steel 304
9	packing nut	Stainless steel 304
8	Packing	PTFE
7	Thrust washer	PTFE
6	Body gasket	PTFE filled with 15% glass
5	Seat	PTFE filled with 15% glass
4	Ends	ASTM A216 WCB
3	Stem	Stainless steel 304
2	Ball	Stainless steel 304
1	Body	ASTM A216 WCB
Pos.	Description	Material

## DIMENSIONS

DN		L	Ø	E	H	T	T1	W	Weight (kg)
mm	inch								
8	1/4"	59	9,2	108	52	25	48	20	0,33
10	3/8"	60	12,8	108	52	28	51	22	0,34
15	1/2"	65,5	15	113	63	32	59,5	26	0,52
20	3/4"	76,5	20	113	68	40	71	33	0,78
25	1"	86,2	25	135	79	45	80	40	1,08
32	1"1/4	103,1	32	135	88	53	91,5	48	1,64
40	1"1/2	118	38	190	97	64	108	55	2,78
50	2"	131,5	50	190	108	79	132,8	67	4,27
65	2"1/2	164,5	65	230	128	98	164	87	8,20
80	3"	182,7	80	230	140	116	194	101	13,00
100	4"	229,6	100	335	172	198	234	130	26,00

## WORKING CONDITIONS

Maximum working temperature : -20°C / + 180°C  
Maximum pressure depends on DN



## STANDARDS

Fabrication according to ISO 9001: 2008.  
Pressure tests according to EN 12266-1, range A.  
Threaded BSP connection according to ISO 228.1.



The photographs and technical art works are not contractual. The specifications of the presented products are open to modifications without previous advice.