

# 3 PIECES FULL BORE BALL VALVE PN 63 BS 5379 BW

Ref. : BS 5379BW pas

Rev. : Initial

Date : 11/12/2014



PA Ventil AB

GO WITH OUR FLOW

## APPLICATION

General use: Chemical and pharmaceutical industries, petrochemical industries.

## GENERAL CHARACTERISTICS

From DN1/4" to DN 4".  
Full bore  
Anti blow-out stem  
PTFE packing.  
Locking device. Two parts seat from DN1/4 to DN1"1/2.  
Stem extension in SS 304 (option )  
Blue handle cover possible.

## CONSTRUCTION

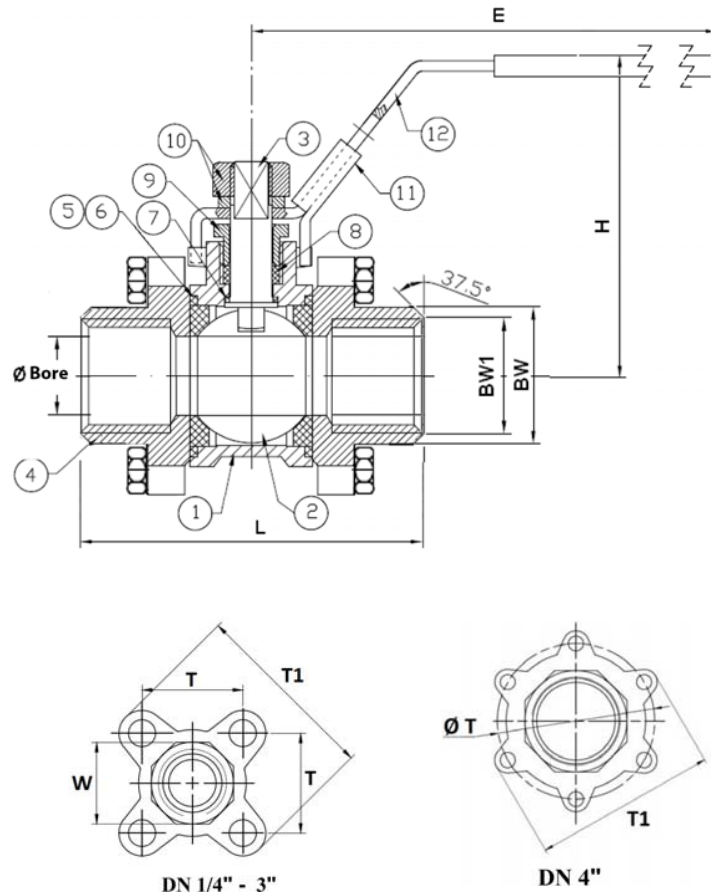
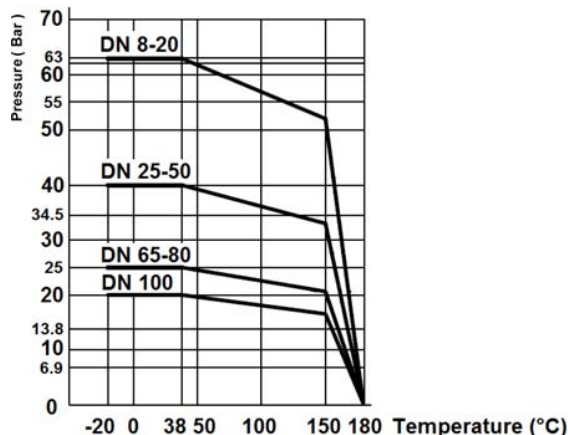
12	Handle	Stainless steel 304
11	Locking device	Stainless steel 304
10	Handle nut	Stainless steel 304
9	Packing nut	Stainless steel 304
8	Packing	PTFE
7	Thrust washer	PTFE
6	Body gasket	PTFE filled with 15% glass
5	Seat	PTFE filled with 15% glass
4	Ends	ASTM A216 WCB
3	Stem	Stainless steel 304
2	Ball	Stainless steel 304
1	Body	ASTM A216 WCB
Pos.	Description	Material

## DIMENSIONS

DN		L	Ø	E	H	T	T1	BW	BW1	Weight (kg)
mm	inch									
8	1/4"	59	9,2	108	52	25	48	14	12	0,33
10	3/8"	60	12,8	108	52	28	51	17,5	14,5	0,34
15	1/2"	65,5	15	113	63	32	59,5	22	17	0,52
20	3/4"	76,5	20	113	68	40	71	27,5	22,5	0,78
25	1"	86,2	25	135	79	45	80	34	28,6	1,08
32	1"1/4"	103,1	32	135	88	53	91,5	43	36	1,64
40	1"1/2"	118	38	190	97	64	108	49	43	2,78
50	2"	131,5	50	190	108	79	132,8	61	54	4,27
65	2"1/2"	174,5	65	230	128	98	164	76,5	68	8,2
80	3"	192,7	80	230	140	116	194	90	84	13
100	4"	239,6	100	335	172	198	234	115	104	26

## WORKING CONDITIONS

Maximum working temperature : -20°C / + 180°C  
Maximum pressure depends on DN



## STANDARDS

Fabrication according to ISO 9001: 2008.  
Pressure tests according to EN 12266-1, range A.  
Connection BW.



The photographs and technical art works are not contractual. The specifications of the presented products are open to modifications without previous advice.