

STANDARD BORE ONE-PIECE BALL VALVE 3 WAYS L-PORT

BS 6162 L

Ref. : BS 6162L pas

Rev. : Initial

Date : 27/09/2016



PA Ventil AB

GO WITH OUR FLOW

APPLICATION

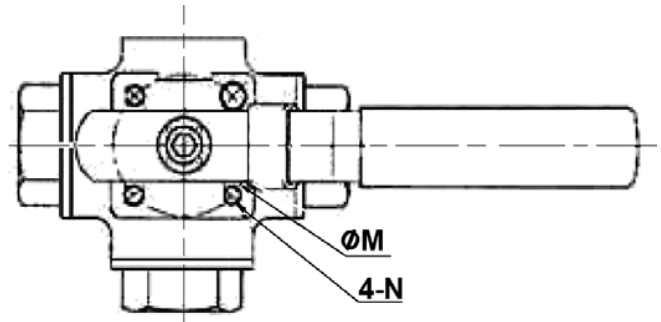
General use: Industry, construction (all compatible fluids).

GENERAL CHARACTERISTICS

Range from DN1/4" to DN2".
 Standard bore, with ISO 5211 mounting plate.
 3 ways, L port.
 Anti blow-out stem.
 Locking device.
 Solid ball.
 One-piece type.

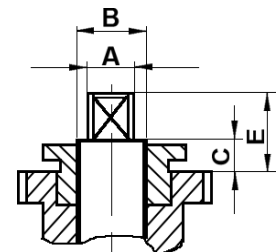
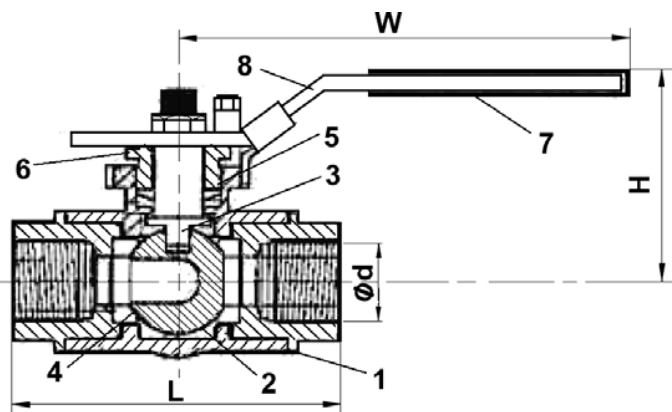
CONSTRUCTION

9	Handle	Stainless steel 304
8	Handle coating	PVC
7	Handle washer	Stainless steel 304
6	Nut	Stainless steel 304
5	Stem bushing	PTFE
4	Seat	PTFE 15% glass fiber
3	Stem	ASTM A276 -316
2	Ball	Stainless steel ASTM A351 CF8M
1	Body	Stainless steel ASTM A351 CF8M
Pos.	Description	Material



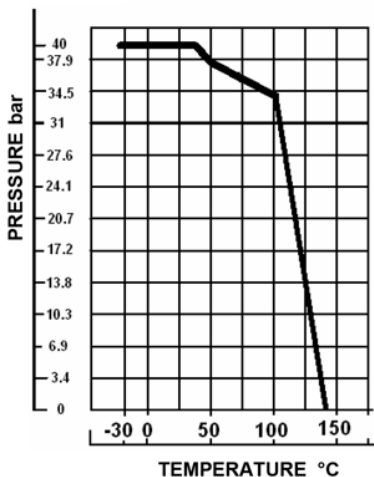
DIMENSIONS

DN		d	L	H	W	M	N	A	B	C	E	Weight (kg)
mm	inch											
8	1/4"	11	69	58	106	42	M5*8	9	12	6	11	0,82
10	3/8"	11	69	58	106	42	M5*8	9	12	6	11	0,77
15	1/2"	12,7	75	61	138	42	M5*8	9	12	6	11	0,78
20	3/4"	16	86	74	138	50	M6*1	11	15	6	13	1,18
25	1"	20	101	81	162	50	M6*1	11	15	7,5	19	2,86
32	1 1/4"	25	115	88	162	50	M6*1	11	15	7,5	19	2,81
40	1 1/2"	32	125	104	220	70	M8*1,25	11	15	8,5	23,5	3,95
50	2"	38,1	149	110	220	70	M8*1,25	14	18,5	8,5	24,5	6,76



WORKING CONDITIONS

Maximum pressure : 40 bar at 40°C
 Maximum working temperature : -20°C / + 140°C



Passage possibilities

Type	1	2	3	4
L				

STANDARDS

BSP female/female/female connection according to ISO 228.1.



The photographs and technical art works are not contractual. The specifications of the presented products are open to modifications without previous advice.