

# REDUCED BORE ONE-PIECE BALL VALVE SERIE 800 PSI

## BS 6162

Ref. : BS 6162 pas

Rev. : Initial

Date : 27/09/2016



PA Ventil AB

GO WITH OUR FLOW

### APPLICATION

General use: Industry, construction and public works.

### GENERAL CHARACTERISTICS

Range from DN1/4" to DN2".  
 Reduced bore.  
 Anti blow-out stem.  
 Locking device.  
 Solid ball.  
 One-piece type.

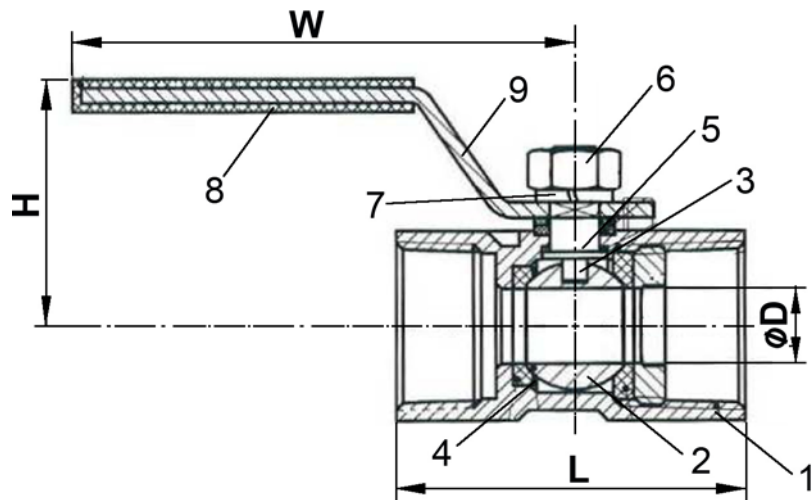


### CONSTRUCTION

9	Handle	Stainless steel 304
8	Handle coating	Plastic
7	Handle washer	Stainless steel 304
6	Nut	Stainless steel 304
5	Stem bushing	PTFE
4	Seat	PTFE 15% glass fiber
3	Stem	Stainless steel 316
2	Ball	Stainless steel 316
1	Body	Stainless steel CF8M
Pos.	Description	Material

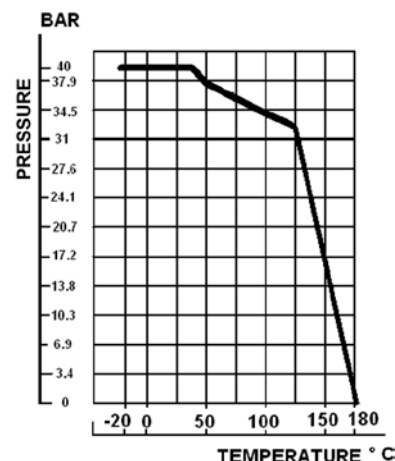
### DIMENSIONS

DN		L	D	H	W	Weight (kg)
mm	inch					
8	1/4"	39	5	33	71	0,66
10	3/8"	44	7	35	91	0,10
15	1/2"	55	9,2	40	95	0,15
20	3/4"	59	12,5	44	95	0,26
25	1"	69	15	50	113	0,36
32	1"1/4"	77	20	57	113	0,65
40	1"1/2"	81	25	64	141	0,76
50	2"	97	32	68	141	1,20



### WORKING CONDITIONS

Maximum pressure : 55 bar  
 Maximum working temperature : -20°C / + 180°C



### STANDARDS

BSP female/female connection according to ISO 228.1.



The photographs and technical art works are not contractual. The specifications of the presented products are open to modifications without previous advice.