

# STAINLESS STEEL FULL BORE BALL VALVE PN 63 BS 6179

Ref. : BS 6179.pas

Rev. : H

Date : 11/01/2016



PA Ventil AB

GO WITH OUR FLOW

## APPLICATION

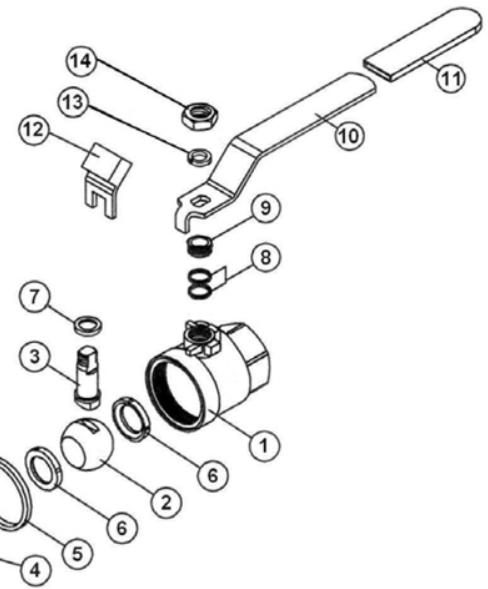
General use : Chemical and pharmaceutical industries, petrochemical industries, hydraulic installation, compressed air.

## GENERAL CHARACTERISTICS

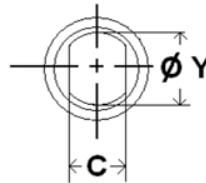
Full bore, anti blow-out stem  
PTFE packing, locking device,  
solid ball, 2 pieces type.

## CONSTRUCTION

14	Handle nut	Stainless steel 304
13	Handle washer	Stainless steel 304
12	Locking device	Stainless steel 304
11	Handle cover	Plastique
10	Handle	Stainless steel 304
9	Packing nut	Stainless steel 304
8	Packing	PTFE
7	Stem gasket	PTFE
6	Seat	PTFE filled with 3% glass fiber
5	Body seal	PTFE
4	Ends	ASTM A351 CF8M
3	Stem	Stainless steel 316
2	Ball	ASTM A351 CF8M
1	Body	ASTM A351 CF8M
Pos.	Description	Material

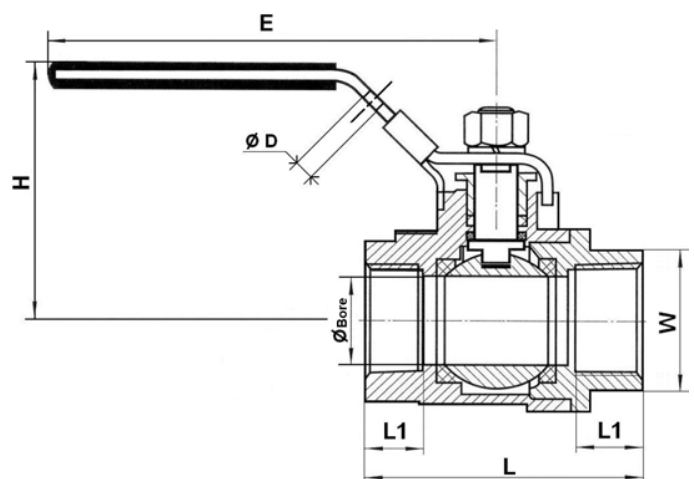


## Stem dimensions



## DIMENSIONS

DN		L	H	ØD	E	H	L1	W	C	ØY	Weight (kg)
mm	inch										
8	1/4"	46.8	53	7.6	100	53	10.5	17	5	8	0.18
12	3/8"	48.5	53	7.6	100	53	10.5	20.8	5	8	0.19
15	1/2"	58	57	7.6	100	57	13	25.5	5	8	0.26
20	3/4"	65.7	66	7.6	127	66	13.2	31	5.8	3.2	0.40
25	1"	77	70	7.6	127	70	15.2	38.5	5.8	9.2	0.59
32	1" 1/4	90	85	7.6	154	85	18	48	7	11	1
40	1" 1/2	98	89	7.6	154	89	18.3	54	7	11	1.32
50	2"	121	103	7.6	92	103	22.5	67	8	12.4	2.46
65	2" 1/2	145	142	7.6	244	142	25.5	83.5	12	20	4.83
80	3"	166	151	7.6	244	151	28.4	98	12	20	7.45
100	4"	214	176	7.6	330	176	36	128	14	24	16.5



## WORKING CONDITIONS

Maximum working pressure : 63 bar from DN1/4" to DN3/4"  
50 bar from DN1" to DN1"1/4"  
40 bar from DN1"1/2 to DN2"  
25 bar from DN2"1/2 to DN3"  
16 bar for DN4"

Maximum working temperature: -20°C /+180°C.

Testing pressure according to EN 12266-1,  
DIN 3230, BS 5154 and ISO 5208 :

Body : Working pressure x 1.5 (bar)  
Seat : Working pressure x 1.1 (bar)

## STANDARDS

Threaded connection according to ISO 228-1.

