

BALL VALVE FULL BORE

BS 6440

Ref. : BS 6440.pas

Rev. : D

Date : 08/12/2014



PA Ventil AB

GO WITH OUR FLOW

APPLICATION

- General use : Chemical and pharmaceutical industries, petrochemical industries, hydraulic installation, compressed air.

GENERAL CHARACTERISTICS

- From DN 15 to DN 150.
- Full bore, anti blow-out stem.
- ISO 5211 mounting pad.
- Sièges PTFE chargés verre.
- Threaded holes flanges.
- Hollow body.
- Locking device from DN 25 to DN 100.

CONSTRUCTION

8	packing	PTFE
7	Gland	Stainless steel 304
6	O ring	PTFE
5	Seat*	PTFE filled with 3% glass
4	Stem	Stainless steel 316
3	Ball	Stainless. Steel ASTM A351 CF8M
2	Cover	Stainless. Steel ASTM A351 CF8M
1	Body	Stainless. Steel ASTM A351 CF8M
Pos.	Description	Material

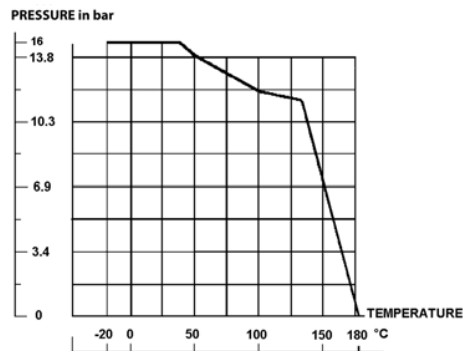
*Seat in PTFE filled with 15% glass for DN125-150

DIMENSIONS

DN	P	L	H	V	H1	nxM	ØK	C	n1 x ØZ	Weight (kg)	
mm	inch										
15	1/2"	15	35	75	125.2	13.5	4xM12	36	9	4 x Ø5	1.1
20	1/4"	20	39	80	125.2	13.5	4xM12	36	9	4 x Ø5	1.41
25	1"	25	44	95	136.2	12	4xM12	42	11	4 x Ø6.4	1.82
32	1" 1/4	32	52	101.5	136.2	10	4xM16	42	11	4 x Ø6.4	3
40	1" 1/2	38	64	122.5	204.5	13.5	4xM16	50	14	4 x Ø7	4.3
50	2"	50	83	121.5	204.2	14	4xM16	50	14	4 x Ø7	5.9
65	2" 1/2	65	100	142	250	18	4xM16	70	17	4 x Ø9	9
80	3"	76	121	161	250	18	8xM16	70	17	4 x Ø9	12.5
100	4"	94	152	174	320	20.5	8xM16	102	17	4 x Ø11	19.4
125	5"	118	179	205	400	50	8xM16	102	17	4 x M10	30
150	6"	135	202	220	600	50	8xM20	125	17	4 x M12	41

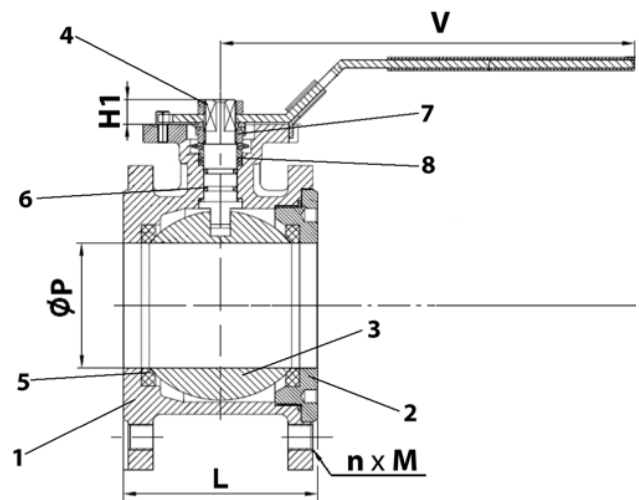
WORKING CONDITIONS

Maximum working pressure: 16 bar

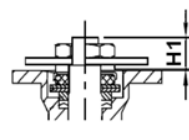
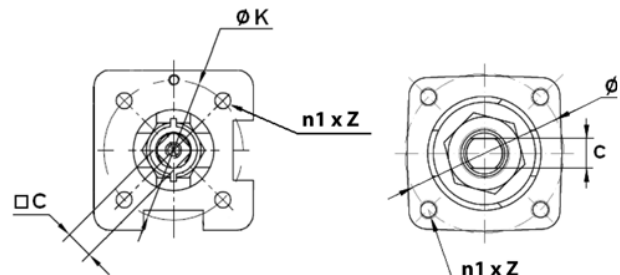


STANDARDS

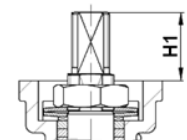
Tests according to API 598, EN 12266-1:
 - Body : 24 bar.
 ISO R.F. flanges according to EN 1092-2 PN16.
 face to face according to EN 558 series 100 up to DN100.



ISO 5211 MOUNTING PLATE AND STEM DIMENSIONS

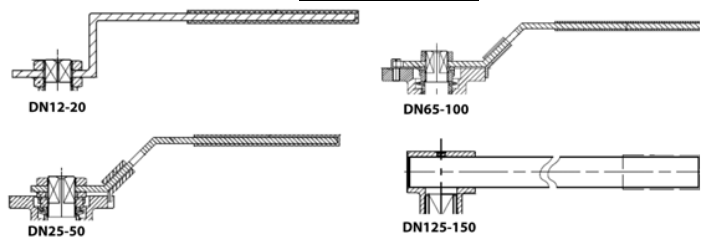


DN15-100



DN125-150

HANDLE TYPES



The photographs and technical art works are not contractual. The specifications of the presented products are open to modifications without previous advice.