

AXIAL BSP THREADED TYPE CHECK VALVE STANDARD TYPE CA 1100

Ref. : CA 1100.pas

Rev. : K

Date : 13/12/2012



PA Ventil AB

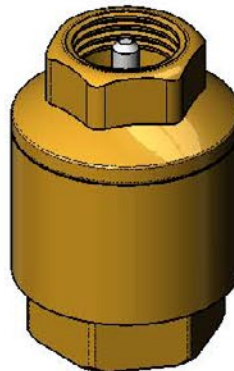
GO WITH OUR FLOW

APPLICATION

General uses: water distribution, building, pumping of fuel and pumping in general, etc.

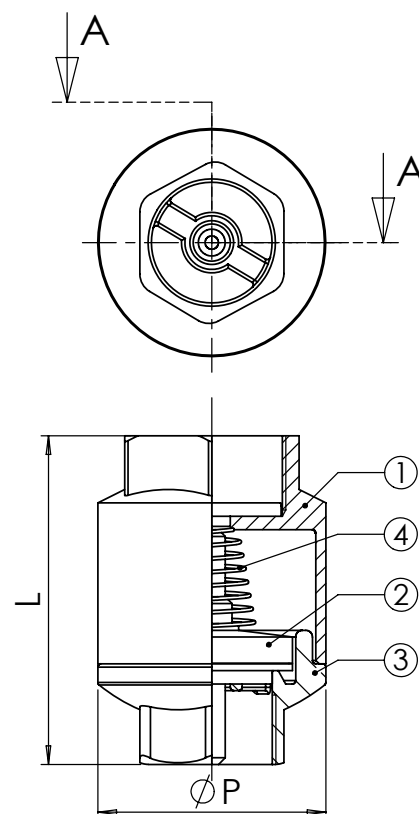
GENERAL CHARACTERISTICS

From DN 3/8" to DN 4".
Low head loss.
Multi-proposes use.
Mounting in horizontal and vertical position.
Excellent hydraulic result.
Perfect tightness in all conditions.
Silent functioning.



CONSTRUCTION

4	1	Spring	Stainless steel	
3	1	Bonnet	Copper alloy CuZn39Pb2	DIN: CuZn39Pb2 ASTM: B 124 C37700 BS: 12164 CZ121
2	1	Disc	Nitril + plastic	
1	1	Body	Copper alloy CuZn39Pb2	DIN: CuZn39Pb2 ASTM: B 124 C37700 BS: 12164 CZ121
Pos.	Qty.	Description	Material	



DIMENSIONS

DN	3/8"	1/2"	3/4"	1"	1"1/4	1"1/2	2"	2"1/2	3"	4"
L	46,5	48,5	51,5	59,5	67,5	72	82	95	99	111,5
Ø P	34,5	33,5	41	46	56	64	80,5	94	114	144,5
Weight (kg)	0,09	0,12	0,18	0,25	0,37	0,49	0,76	1,42	1,95	3,00

WORKING CONDITIONS

Maximum working pressure :

DN 3/8" - 1" : 12 bar
DN 1"1/4 - 2" : 10 bar
DN 2"1/2 - 4" : 8 bar

Maximum temperature : - 20°C / + 100°C.

Pressure test according to standards
EN 12266-1, DIN 3230, BS 5154 and ISO 5208.

Body : PS x 1,5
Seat : PS x 1,1

STANDARDS

BSP threaded according to standard ISO 228-1.

