

# FLANGED TYPE AXIAL CHECK VALVE CA 4261

Ref. : CA 4261.pas

Rev. : Initial

Date : 05/09/2016



PA Ventil AB

GO WITH OUR FLOW

## APPLICATION

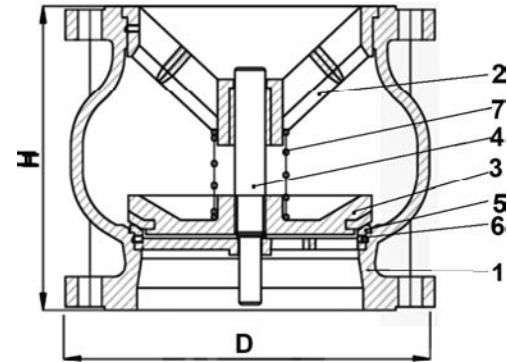
General uses: pumping, irrigation, industry, clean water.

## GENERAL CHARACTERISTICS

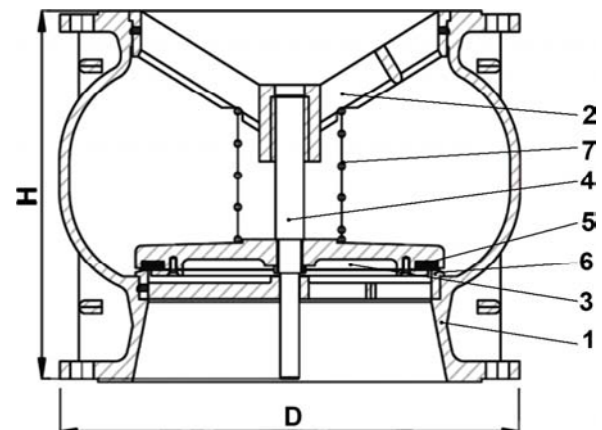
From DN 50 to DN 600.  
Excellent tightness.  
Low head loss.  
Extremely reliable.  
Simplicity in mounting and use.

## CONSTRUCTION

7	1	Spring	Stainless steel 304
6	1	Bague	Bronze
5	1	Joint	EPDM
4	1	Axis	Stainless steel X20Cr13
3	1	Disc	Ductile iron
2	1	Cone	Ductile iron
1	1	Body	Ductile iron
Pos.	Q-ty	Description	Material



DN50-400



DN450-600

## DIMENSIONS

DN		H	Ø D		Weight (kg)
mm	inch				
50	2"	125	165	6	
65	2 1/2"	145	185	8	
80	3"	155	200	12	
100	4"	175	220	17	
125	5"	200	250	23	
150	6"	225	285	35	
200	8"	275	340	60	
250	10"	325	405	95	
300	12"	375	460	130	
350	14"	425	520	180	
400	16"	475	580	240	
450	18"	500	650	264	
500	20"	587	715	380	
600	24"	710	840	590	

## WORKING CONDITIONS

Maximum working pressure : 40 bar

Maximum temperature : -10°C / +80°C.

Test pressure according to EN 12266-1,  
DIN 3230, BS 6755 et ISO 5208 :

Body : 60 bar.

Seat : 44 bar.

## STANDARDS

Flanges drilled according to EN 1092-2 and  
DIN 2501/1 : ISO PN40.

