

# THREADED TYPE SWING CHECK VALVE PN 16 CB 6140

Ref. : CB 6140 pas

Rev. : Initial

Date : 22/10/2013



PA Ventil AB

GO WITH OUR FLOW

## APPLICATION

General use : Chemical and pharmaceutical industries, petrochemical industries, hydraulic installation.

## GENERAL CHARACTERISTICS

From DN1/4" to DN 2".  
Vertical position with ascendant fluid or horizontal position  
The flow direction is indicated by the arrow on the body.  
Female cylindrical threaded BSP ends.  
Swing type.  
Metal / metal thickness.

## CONSTRUCTION

5	Bonnet gasket	PTFE
4	Stem	Stainless steel 304
3	Disc	Stainless steel ASTMA351 CF8M
2	Bonnet	Stainless steel ASTMA351 CF8M
1	Body	Stainless steel ASTMA351 CF8M
Pos.	Description	Material

## DIMENSIONS

DN		ØP	L	H	W	Weight (kg)
mm	inch					
8	1/4"	10	65	42	24	0,280
10	3/8"	12	65	42	24	0,264
15	1/2"	15	65	46	27	0,320
20	3/4"	20	80	54	34	0,530
25	1"	25	90	57	42	0,750
32	1 1/4"	32	103	61	49	1,030
40	1 1/2"	38	120	70,5	57	1,590
50	2"	50	141	76,5	69	2,310

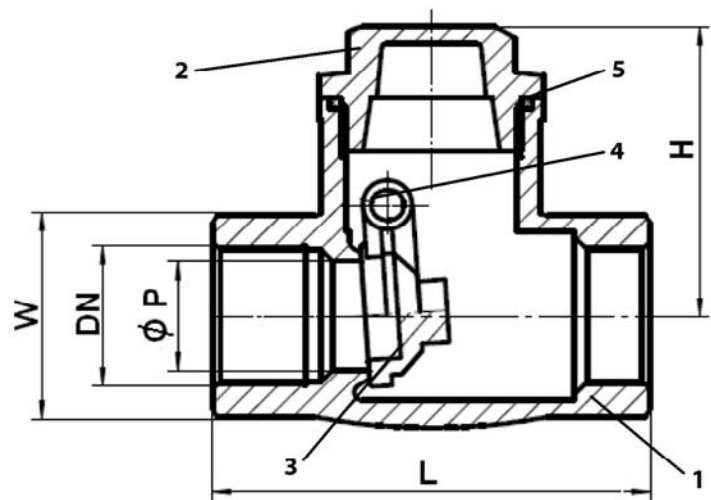
## WORKING CONDITIONS

Maximum working temperature : -20°C / +200°C

Maximum working pressure : 16 bar

## STANDARDS

Fabrication according to ISO 9001 : 2008  
Threaded cylindrical female BSP ends  
according to ISO 228/1.



Vertical position (ascendant fluid)

Horizontal position

