

# FLANGED BALL CHECK VALVE

## CBL 3240

Ref. : CBL 3240.pas

Rev. : S

Date : 04/03/2015



PA Ventil AB

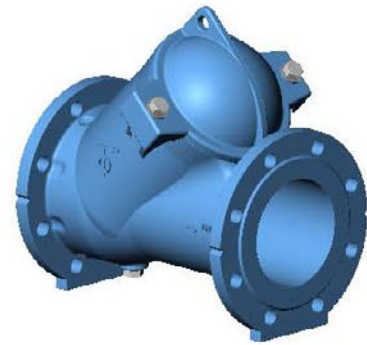
GO WITH OUR FLOW

### APPLICATION

General uses: waste water, sticky fluids, raising water (purification, water treatment, pumping...)

### GENERAL CHARACTERISTICS

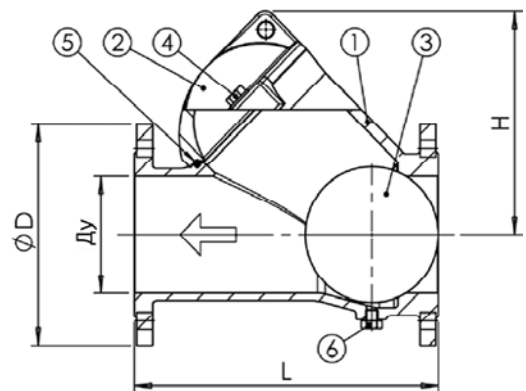
Design in accordance with standard NF EN 12334.  
 Range: From DN 40 to DN 600.  
 Tight and working in horizontal or vertical position.  
 Low head loss.  
 Full bore thanks to the moving of the ball.  
 Self-cleaning ball.  
 Lifting hook in the cover for easy handling.  
 Easy and quick disassembling cover.  
 Cap allowing the takeoff of the ball.  
 Body: oven baked epoxy 150 µm, RAL 5019.



### CONSTRUCTION

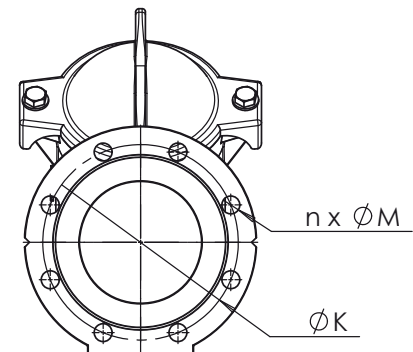
6	1	Degassing plug	Stainless steel	Only for DN 40-400
5	1	Gasket	Nitril	
4	2/4	Nut	Stainless steel	
3	1	Ball	Nitril coated steel	
2	1	Bonnet	Ductile iron EN-GJS-400-15	DIN: GGG 40 ASTM: A536 65-45-12 BS: 1563 EN-JS1030
1	1	Body	Ductile iron EN-GJS-400-15	DIN: GGG 40 ASTM: A536 65-45-12 BS: 1563 EN-JS1030
Rep.	Nb.	Description	Material	

View B



### DIMENSIONS

DN		L	H	ØD	ØK	n x ØM	O Ring Ø int. x Ø torus	Minimum opening pressure (mbar)	Weight (kg)
mm	inch								
40	1 1/2	180	113	150	110	4 x Ø19	Ø59,7 x Ø5,3	6,9	6,00
50	2"	200	145	165	125	4 x Ø18,5	Ø68,4 x Ø5,3	12,6	9,45
65	2 1/2	240	169	185	145	4 x Ø18,5	Ø105,4 x Ø5,3	20,5	14,0
80	3"	260	169	200	160	8 x Ø18,5	Ø105,4 x Ø5,3	12,0	15,1
100	4"	300	211	220	180	8 x Ø18	Ø133,6 x Ø5,7	16,0	22,7
125	5"	350	275	250	210	8 x Ø18	Ø188,6 x Ø5,7	41,6	38,1
150	6"	400	294	285	240	8 x Ø22	Ø188,6 x Ø5,7	25,7	47,8
200	8"	500	395	340	295	8 x Ø22	Ø257,8 x Ø8,6	26,7	91
250	10"	600	482	400	350	12 x Ø22	Ø317,8 x Ø8,6	32,5	144
300	12"	700	573	455	400	12 x Ø22	Ø382,8 x Ø8,6	35,7	222
350	14"	800	654	505	460	16 x Ø23	Ø455 x Ø10	54,2	367
400	16"	900	781	565	515	16 x Ø27	Ø530 x Ø10	64,0	499
450	18"	1000	730	615	565	20 x Ø27	-	-	500
500	20"	1100	900	670	620	20 x Ø27	-	-	580
600	24"	1300	1030	780	725	20 x Ø31	-	-	1095



Following view B

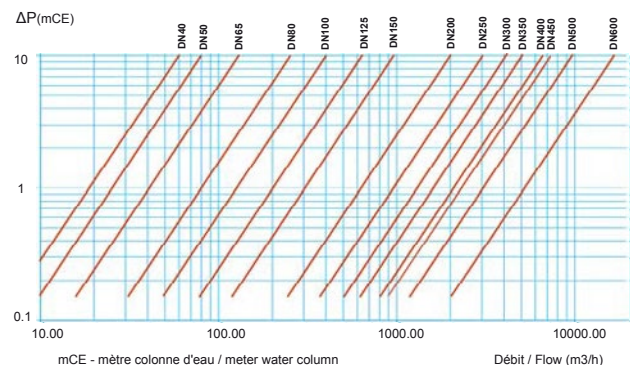
### WORKING CONDITIONS

Maximum working pressure: 10 bar.  
 Maximum temperature: -10°C / +80°C.  
 Warning: On request for low load.

Pressure test according to standards  
 EN 12266-1, DIN 3230, BS 6755 and ISO 5208 :  
 Body : 15 bar.  
 Seat : 11 bar.

### STANDARDS

Manufacture according to the requirements of the European directive 2014/68/UE «Equipment under pressure»  
 Modulate H. (DN 40-400)  
 Face to face according to standards NF EN 558-1 serie 48,  
 DIN 3202/1 serie F6. Standard mounting flanges according to  
 EN 1092-2 ISO PN 10, PN 16 and ASA 150 lbs on request.



The photographs and technical art works are not contractual. The specifications of the presented products are open to modifications without previous advice.