

FLANGED BALL CHECK VALVE

CBL 6240

Ref. : CBL 6240.pas

Rev. : H

Date : 07/04/2015



PA Ventil AB

GO WITH OUR FLOW

APPLICATION

General uses : Waste water, sticky fluids, raising water (purification, water treatment, pumping...).

GENERAL CHARACTERISTICS

Design in accordance with standard NF EN 14341.
Range : From DN50 to DN400.
Tight and working in horizontal or vertical position.
Low head loss.
Full bore thanks to the moving of the ball.
Self-cleaning ball.
Easy and quick disassembly cover.



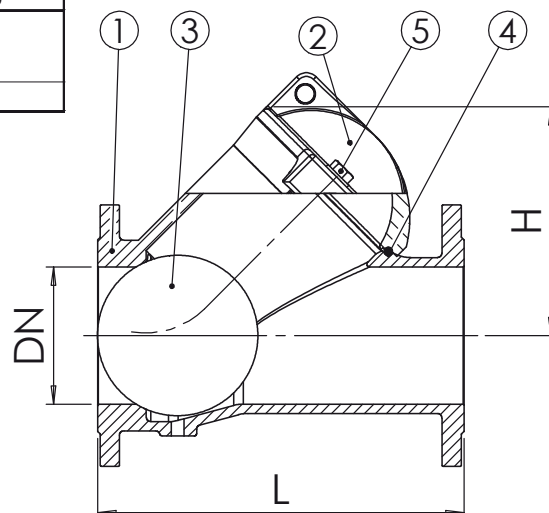
CONSTRUCTION

Rep.	Nb.	Description	Material
5	DN50-200 = 2 DN250-350 = 4 DN400 = 6	Nut	Stainless steel
4	1	Gasket	Nitril
3	1	Ball	DN50-200 = Aluminium + Nitril DN250-400 = Ductile iron EN-GJS-400-15 + Nitril
2	1	Bonnet	Stainless steel 316 (A351 CF8M) DIN: GG 25 ASTM: A48 Classe 40 B BS: 1452 grade 250
1	1	Body	DN50-200 : Stainless steel 316 (A351 CF8M) DN250-400 : Stainless steel
Rep.	Nb.	Description	Material

DIMENSIONS

DN		L	H	P	Ø D	Ø K	n x Ø M	Weight (kg)
mm	inch							
50	2"	200	115	139.3	Ø165	Ø125	4 x Ø19	8.5
65	2" 1/2	240	135	155	Ø185	Ø145	4 x Ø19	12.5
80	3"	260	160	185.2	Ø200	Ø160	8 x Ø19	15.6
100	4"	300	186	219.2	Ø226	Ø180	8 x Ø19	21.0
125	5"	350	222	255	Ø253	Ø210	8 x Ø19	30.0
150	6"	400	268	289	Ø285	Ø240	8 x Ø23	41.0
200	8"	500	353	369	Ø350	Ø295	8 x Ø23	69.0
250	10"	600	418	380	Ø402	Ø350	12 x Ø23	125.0
300	12"	700	495	445	Ø450	Ø400	12 x Ø23	178.0
350	14"	800	580	520	Ø505	Ø460	16 x Ø23	290.0
400	16"	900	730	712	Ø565	Ø515	16 x Ø26	450.0

ØP



WORKING CONDITIONS

Maximum working pressure: 16 bar until DN150 included.
Maximum working pressure: 10 bar from DN200.
maximum temperature : -10°C / +80°C.
Warning: On request for low head.

STANDARDS

Manufacture according to the requirements of the European directive 2014/68/UE "Equipment under pressure" : category III modulate H.
Pressure test according to standards EN12266-1, DIN 3230, BS 6755 and ISO 5208.

Face to face according to standards NF EN 558-1 série 48, DIN 3202/1 série F6.

Standard mounting flanges according EN 1092-2 ISO PN 10/16 until DN150 included.
Standard mounting flanges according EN 1092-2 ISO PN 10 from DN200

