

# SINGLE JET WATER METER MID

## CE 1140 EF

Ref. : CE 1140EF.pas

Rev. : Initial

Date : 15/12/2014



PA Ventiler AB

GO WITH OUR FLOW

### APPLICATION

Water distribution.

### GENERAL CHARACTERISTICS

Turbine à jet unique.  
The flow direction indicated by the arrow.  
MID R100 (equivalent class A)  
MID R50 (equivalent class B)  
Rotating dry dial.  
Magnetic movement.  
Direct reading on 8 numerical rolls.  
With lid.  
Brass body.

### CONSTRUCTION

12	Strainer
11	Brass body
10	Holding seal
9	Pivot
8	Turbine
7	Sealing plate
6	Seger
5	Totalising mechanism
4	Holding gasket
3	Transparent cup in PC
2	Sealing ring
1	Lid
<b>Item</b>	<b>Description</b>

### DIMENSIONS

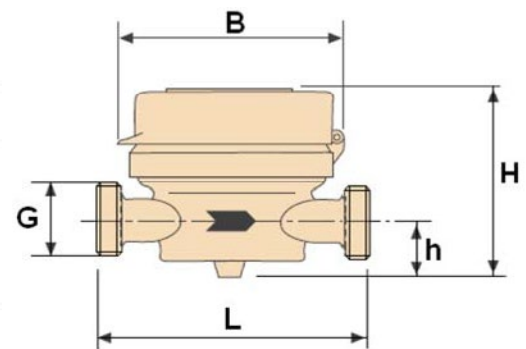
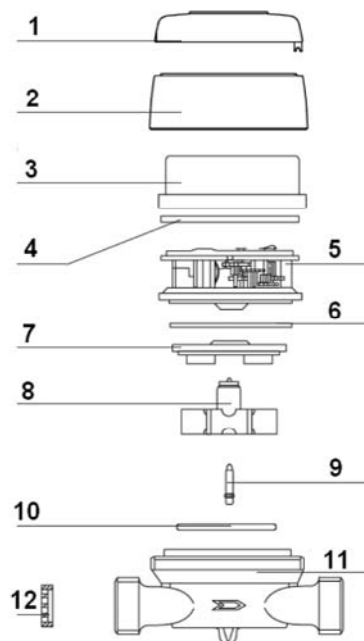
DN	G	L	B	H	h	Weight (kg)
15	3/4"	110	85	73	18	0,50
20	1"	130	85	73	18	0,60

### WORKING CONDITIONS

Maximum working pressure: 16 bar.  
Maximum temperature : 0°C / +30°C.

### STANDARDS

Fabrication according to ISO 9001:  
2008 ICIM and IQNET  
Directive 2014/68/UE : Products excluded from directive (article 1, §3.2)  
Approval certificate MID according to directive 2004/22/CE MID annex B  
French water agreement :  
A.C.S. n° 11 ACC LY 067  
Approval certificate Russian Federation GOST-R  
Approval certificate Ukrainian UKRSEPRO  
Approval food certificate TIFQ DM 174/2004  
Threaded male BSP cylindrical according to ISO 228-1

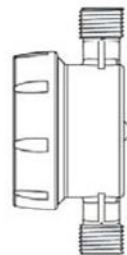


### INSTALLATION POSITIONS :

The counter should be normally placed in an horizontal position  
The counter can be installed vertically with ascending flow or tilted without suffering any damage. It must be considered though that in these cases the metering precision of the meter is going to be slightly altered.  
If necessary, the counter can be installed vertically with descending flow but the pipe should always be full of water in this case.

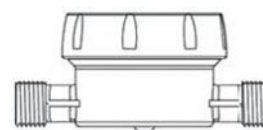
**NOTE: Never install the water meter in horizontal position with totalizer in upside down orientation.**

#### VERTICAL

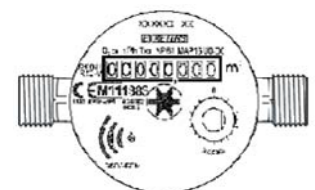


Class MID R=50

#### HORIZONTAL



Class MID R=100



Class MID R=50

