

MUTLI JET COLD WATER CLASS B

CE 1150 EF

Ref. : CE 1150EF.pas

Rev. : Initial

Date : 15/12/2014



PA Ventil AB

GO WITH OUR FLOW

APPLICATION

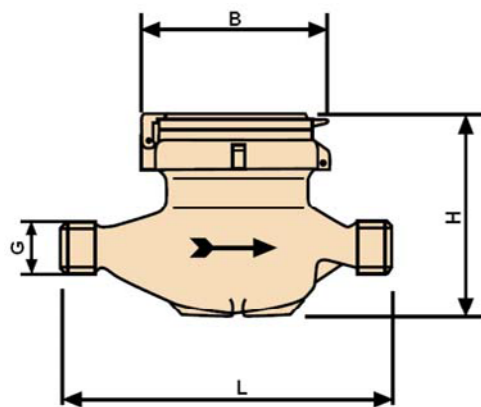
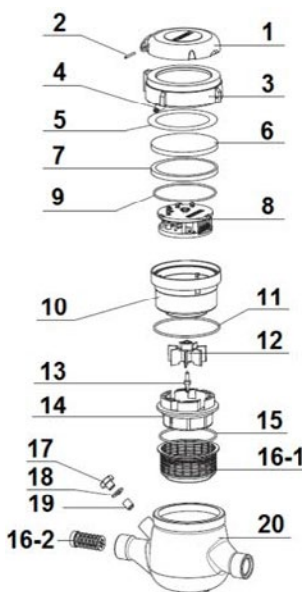
Water distribution.

GENERAL CHARACTERISTICS

Multi jet type;
B class in horizontal position
(respect the flow direction indicated by the arrow).
Wet dial (be careful non rotating).
Mechanical transmission.
Direct reading on numerical rolls.
With lid.
Brass body.

CONSTRUCTION

20	Brass body
19	Adjusting screw
18	Gasket
17	Screw
16-2	Strainer (only for bore 25 and 30)
16-1	Strainer (only for bore 15,20,40 and 30)
15	O-ring
14	Vane wheel case
13	Pivot
12	Vane wheel
11	O-ring
10	Mechanism case
9	O-ring
8	Totalising mechanism
7	Holding ring
6	Mineral glass 5 mm
5	Sliding gasket
4	lead
3	brass sealing ring
2	Hinge
1	Plastic lid
Item	Description



Horizontal Mounting with dial only in horizontal position



DIMENSIONS

DN	G	L	B	H	Weight (kg)
15	3/4"	170	100	109	1,35
20	1"	190	100	111	1,45
25	1"1/4	260	104	117	2,04
30	1"1/2	260	104	117	2,11
40	2"	300	126	153	4,58
60	2"1/2	300	160	172	7,25

STANDARDS :

Fabrication according to ISO 9001 : 2008 ICIM and IQNET.
DIRECTIVE 2014/68/UE : Products excluded from directive (article 1, § 3.2)
Approbation CEE 75/33 ISO 4064.
French water agreement A.C.S. N° 11 ACC LY 221.
Approval certificate Ukrainian UKRSEPRO.
Approval food certificate TIFQ DM 174/2004.
Threaded male BSP cylindrical according to ISO 228-1.

WORKING CONDITIONS

Maximum working pressure: 16 bar.
Maximum temperature : 0°C / +30°C.

