

# FLANGED TYPE PN 40 WOLTMANN WATER METER CE 4262

Ref. : CE 4262

Rev. : Initial

Date : 15/09/2016



PA Ventil AB

GO WITH OUR FLOW

## APPLICATION

Water distribution.

## GENERAL CHARACTERISTICS

Individual water meter with very high accuracy.  
Horizontal installation.  
Dry dial .  
Low pressure drop.  
Easy maintenance.

## DIMENSIONS

DN	mm	60	65	80	100	125	150	200	250	300	400	500
	inch	2"	2" 1/2"	3"	4"	5"	6"	8"	10"	12"	16"	20"
L		200	200	225	250	250	300	350	450	500	600	800
H		252	262	272	282	297	341	371	480	516	647	785

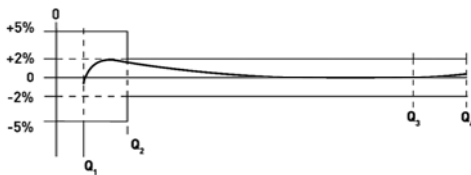
## FLOWS

DN		Permanent flow	Maximum flow	Transition flow	Minimum flow	Minimum value	Maximum value	Temperature range
mm	inch	Q <sub>3</sub> (m <sup>3</sup> /h)	Q <sub>4</sub> (m <sup>3</sup> /h)	Q <sub>2</sub> (l/h)	Q <sub>1</sub> (l/h)	(liter)	(m <sup>3</sup> )	
50	2"	40	50	800	500	0,5	999.999	T30/T50
65	2" 1/2"	63	78,75	1260	788	0,5	999.999	T30/T50
80	3"	63	78,75	1260	788	0,5	999.999	T30/T50
100	4"	100	125	2000	1250	0,5	999.999	T30/T50
125	5"	160	200	3200	2000	0,5	999.999	T30/T50
150	6"	250	312	5000	3125	5	9.999.999	T30/T50
200	8"	400	500	8000	50000	5	9.999.999	T30/T50
250	10"	630	787,5	12600	7875	50	99.999.999	T30/T50
300	12"	1000	1250	20000	12500	50	99.999.999	T30/T50
400	16"	1600	2000	32000	20000	50	99.999.999	T30/T50
500	20"	2500	3125	50000	31250	50	99.999.999	T30/T50

## WORKING CONDITIONS

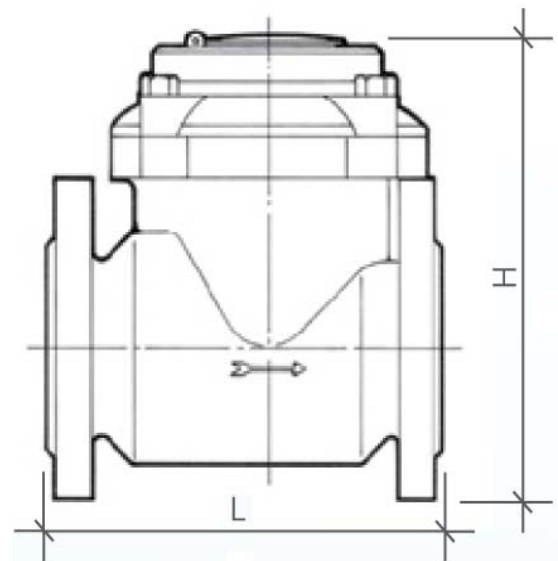
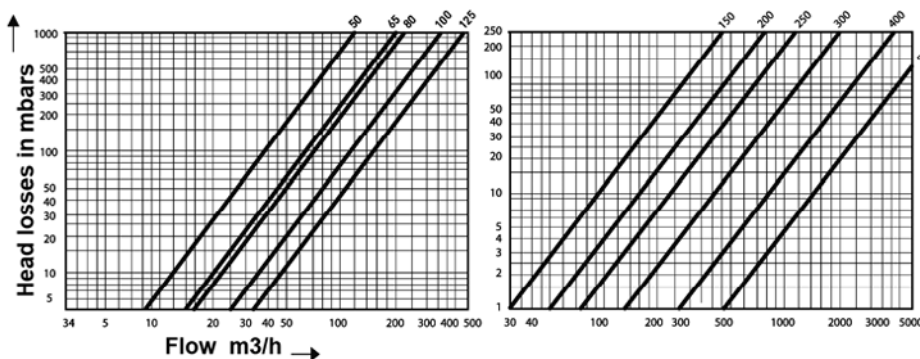
Maximum working pressure: 40 bar.

### TYPICAL ACCURACY CURVE



Metrological range MID (Q3/Q1) R=80

## HEAD LOSS



The photographs and technical art works are not contractual. The specifications of the presented products are open to modifications without previous advice.