

FLANGED TYPE TILTING CHECK VALVE WITH COUNTERWEIGHT PN 10/16 CP 4243

Ref. : CP4243.pas

Rev. : B

Date : 16/11/2015



PA Ventil AB

GO WITH OUR FLOW

APPLICATION

General uses: drinkable water, dirty fluids, industry.

GENERAL CHARACTERISTICS

Design according to NF EN 12334.
Range : from DN 200 to DN 1000.
Low head losses.
Maintenance free.
Mounting horizontally or vertically.
Bearings self lubricated.
With or without counterweight.

CONSTRUCTION

9	2	Pin	Stainless steel 420
8	4	Key	Stainless steel 420
7	1	Counterweight	Cast iron GG 25
6	1	Lever	Welded steel
5	1	Seal ring	EPDM
4	2	Bearing	Al-Bronze
3	2	Shaft	Stainless steel 420
2	1	Disc	Ductile iron GGG50
1	1	Body	Ductile iron GGG50
Pos.	Qty	Description	Material

DIMENSIONS

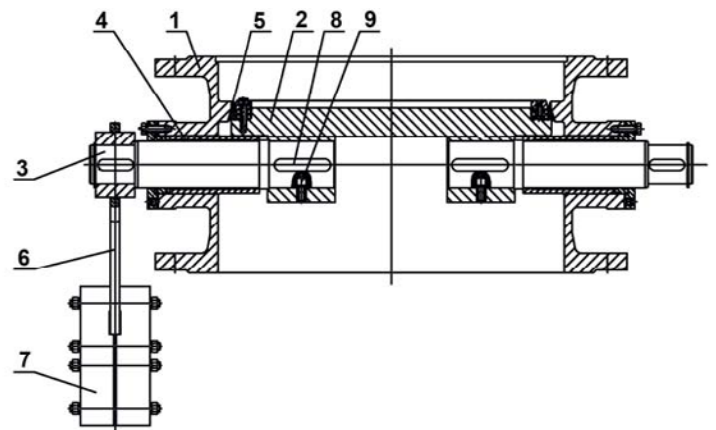
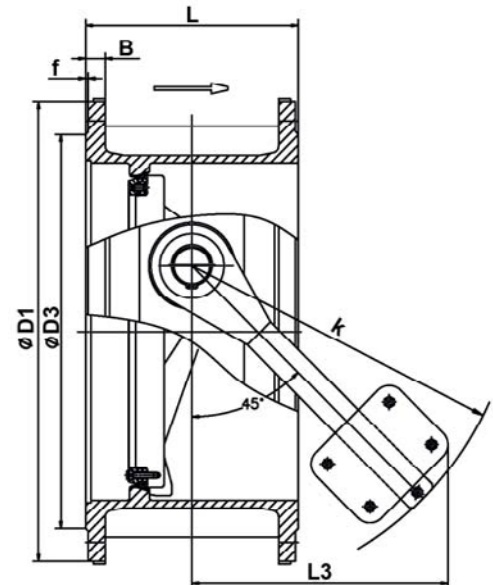
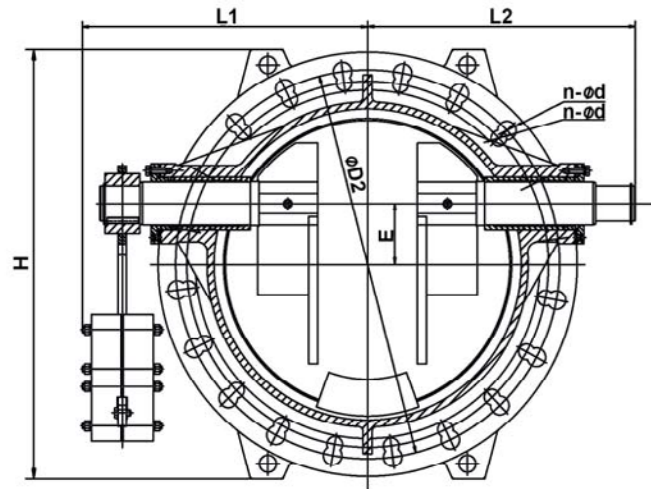
DN	ØD1	ØD2		ØD3		n x Ød		B	L	f	H	K	L1	L2	L3	E	Weight (kg)
		PN10	PN16	PN10	PN16	PN10	PN16										
200	340	295	295	266	266	8 x Ø23	12 x Ø23	20	230	3	350	200	260	240	180	50	43
250	405	350	355	319	319	12 x Ø23	12 x Ø28	22	250	3	420	300	294	285	247	62,5	68
300	460	400	410	370	370	12 x Ø23	12 x Ø28	24,5	270	3	480	300	321	314	247	75	91
350	520	460	470	429	429	16 x Ø23	16 x Ø28	26,5	290	4x45°	530	350	383	360	300	70	132
400	580	515	525	480	480	16 x Ø28	16 x Ø31	28	310	4x45°	590	400	414	389	340	80	173
450	640	565	585	530	548	20 x Ø28	20 x Ø31	30	330	4x45°	650	450	469	444	356	90	252
500	715	620	650	582	609	20 x Ø28	20 x Ø34	31,5	350	4x45°	723	500	521	487	395	100	304
600	840	725	770	682	720	20 x Ø31	20 x Ø37	36	390	4x45°	850	600	572	502	471	120	457
700	910	840	840	794	794	24 x Ø31	24 x Ø37	39,5	430	4x45°	920	700	635	595	546	140	627
800	1025	950	950	901	901	24 x Ø34	24 x Ø41	43	470	4x45°	1035	800	711	680	610	160	861
900	1125	1050	1050	1001	1001	28 x Ø34	28 x Ø41	46,5	510	4x45°	1135	880	963	898	657	150	1193
1000	1255	1160	1170	1112	1112	28 x Ø37	28 x Ø44	50	550	4x45°	1265	1000	945	890	752	200	1540

WORKING CONDITIONS

Maximum working pressure : 16 bar.
Maximum temperature : -10°C / + 80°C.

AGREEMENT AND TESTING

Test procedures are established according to BS 6755.
Face to face according to NF EN558-1 serie 14,
DIN 3202/1 serie F4.
Flanges drilled according to EN 1092-2, ISO 2531 and
DIN 2501 : ISO PN10/16.



The photographs and technical art works are not contractual. The specifications of the presented products are open to modifications without previous advice.