

# THREADED TYPE LIFT CHECK VALVE

CS 2142

Ref. : CS 2142.pas

Rev. : E

Date : 20/11/2013



PA Ventiler AB

GO WITH OUR FLOW

## APPLICATION

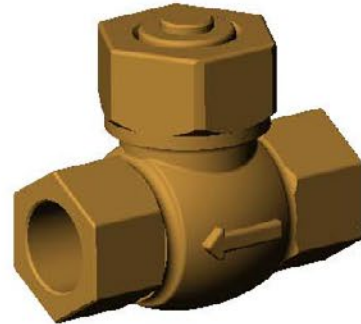
General uses : Water and saturated steam.

## GENERAL CHARACTERISTICS

Range : from DN 1/4" up to DN 2"

## CONSTRUCTION

5	1	Spring	Stainless steel
4	1	Stem	Stainless steel
3	1	Tightness	Stainless steel – Stainless steel
2	1	Bonnet	Brass (DN1/4" – 1"1/2) Bronze (DN2")
1	1	Body	Bronze
Pos.	Qty.	Description	Material



## DIMENSIONS

DN inch	L	H	Weight (kg)
1/4"	46	30	0.197
3/8"	46	30	0.202
1/2"	56	35	0.281
3/4"	62	45	0.504
1"	74	50	0.727
1"1/4	91	60	1.164
1"1/2	100	65	1.504
2"	128	80	2.508

## WORKING CONDITIONS

Maximum working pressure : 25 bar.  
Maximum temperature : +180°C.

## AGREEMENT AND TESTING

Test procedures are established according to  
NF EN 12266-1, DIN3230, ISO 5208.  
BSP threaded according to ISO 228.

