

THREADED TYPE LIFT CHECK VALVE

CS 2143

Ref. : CS 2143.pas

Rev. : Initial

Date : 30/09/2015



PA Ventil AB

GO WITH OUR FLOW

APPLICATION

General uses : Heating, water distribution and watering.

GENERAL CHARACTERISTICS

Range : from DN 1/4" up to DN 2"
Respect the flow direction indicated on the body by the arrow.
Horizontal position
Bronze body with union cap. Stainless steel disc
PTFE or stainless steel disc
BSP cylindrical female threaded

CONSTRUCTION

| 8 | Spring | Stainless steel 303 |
|------|-------------|------------------------------------|
| 7 | Seat | Stainless steel 316L |
| 6 | Disc nut | Brass CW 614N according to EN12164 |
| 5 | Disc | PTFE |
| 4 | Stem | Brass CW 614N according to EN12164 |
| 3 | Bonnet nut | Brass CW 617N according to EN12165 |
| 2 | Bonnet | ** |
| 1 | Body | Bronze C83600 ASTM B62 |
| Pos. | Description | Material |

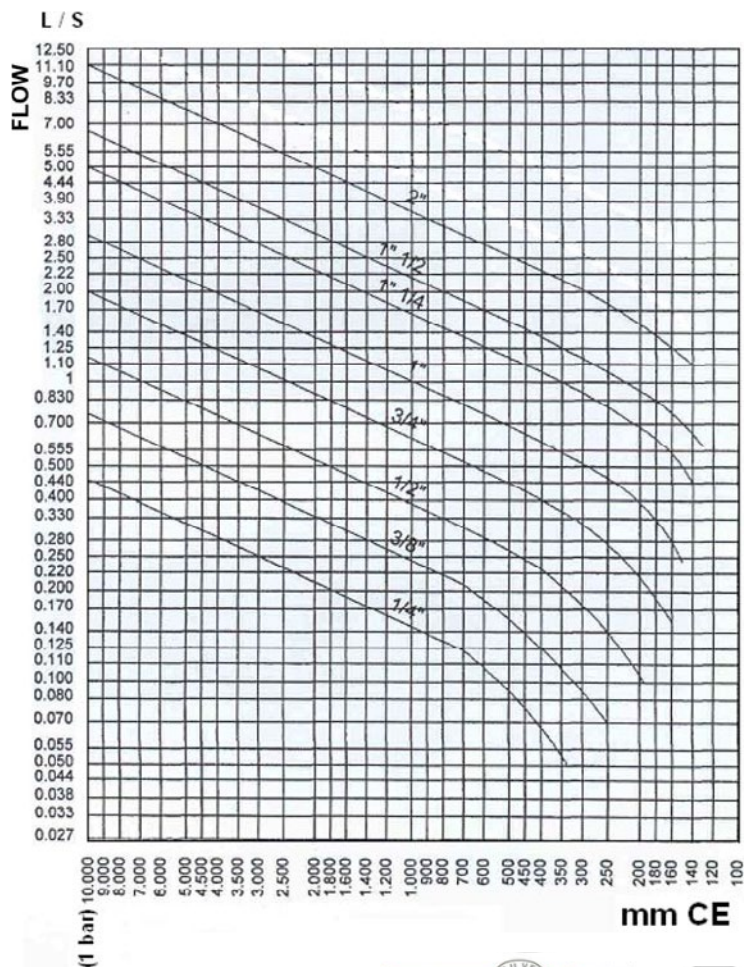
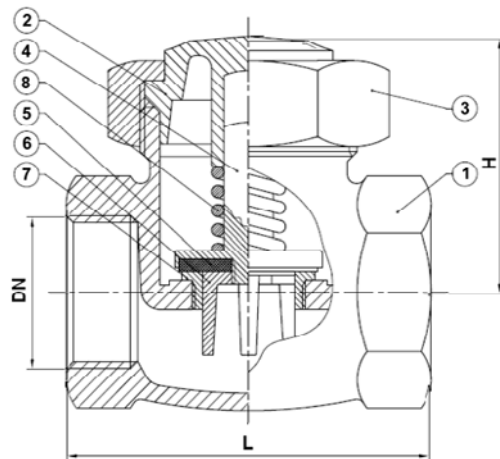
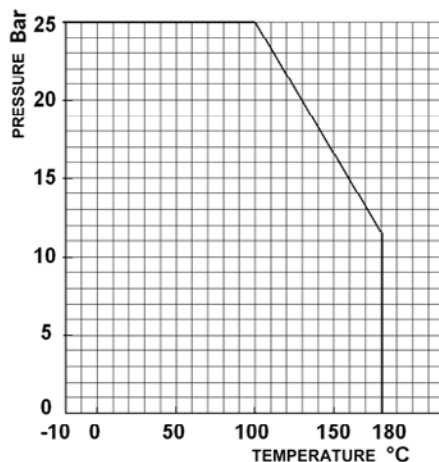
** - Brass CW 614N according to EN12164 from DN1/4" to DN1"1/2
-Bronze C83600 ASTM B62 for DN2"

DIMENSIONS

| DN inch | L | H | Weight (kg) |
|------------|-----|----|----------------|
| 1/4" | 46 | 30 | 0.223 |
| 3/8" | 46 | 30 | 0.190 |
| 1/2" | 56 | 35 | 0.292 |
| 3/4" | 62 | 45 | 0.514 |
| 1" | 74 | 50 | 0.729 |
| 1"1/4 | 91 | 60 | 1.198 |
| 1"1/2 | 100 | 65 | 1.464 |
| 2" | 128 | 80 | 2.520 |

WORKING CONDITIONS

Maximum working pressure : 25 bar.
Maximum temperature : -10°C / +180°C.



AGREEMENT AND TESTING

Test procedures are established according to NF EN 12266-1, DIN3230, ISO 5208.
BSP threaded according to ISO 228.



The photographs and technical art works are not contractual. The specifications of the presented products are open to modifications without previous advice.