

# FLANGED TYPE LIFT CHECK VALVE

## CS 3240

Ref. : CS 3240.pas

Rev. : K

Date : 31/08/2016



PA Ventil AB

GO WITH OUR FLOW

### APPLICATION

General use : clean water, lightly charged, pumping, water piping, irrigation, non corrosive fluid.

### GENERAL CHARACTERISTICS

Range : from DN15 to DN300.  
Extremely reliable.  
Wide range of applications.  
Simple and sturdy construction.  
Reliable and efficient functioning.  
Mounting all positions.

### CONSTRUCTION

|      |     |   |                               |  |
|------|-----|---|-------------------------------|--|
| 10   | 4   | Bolts   | Steel                         |  |
| 9    | 1   | Cover   | Cast iron<br>EN-GJL-250       | DIN: GG25<br>ASTM: A48 class 40B<br>BS: 1452 Grade 250 |
| 8    | 1   | Gasket  | Graphite fiber                |  |
| 7    | 4   | Nuts  | Steel                         |  |
| 6    | 1   | Bush  | Brass                         |  |
| 5    | 1   | Spring  | Stainless steel<br>X5CrNi18-9 | DIN: 1.4301<br>ASTM: AISI 304<br>BS: 304 S 15          |
| 4    | 1   | Disc  | Cast iron<br>EN-GJL-250       | DIN: GG25<br>ASTM: A48 class 40B<br>BS: 1452 Grade 250 |
| 3    | 1   | Disc seat<br><small>Only DN65 à DN200</small> | Stainless steel<br>X20Cr13    | DIN: 1.4021<br>ASTM: AISI 420<br>BS: 420 S 37          |
| 2    | 1   | Body seat                                     | Stainless steel<br>X20Cr13    | DIN: 1.4021<br>ASTM: AISI 420<br>BS: 420 S 37          |
| 1    | 1   | Body  | Cast iron<br>EN-GJL-250       | DIN: GG25<br>ASTM: A48 class 40B<br>BS: 1452 Grade 250 |
| Rep. | Nb. | Désignation                                   | Matière                       |  |

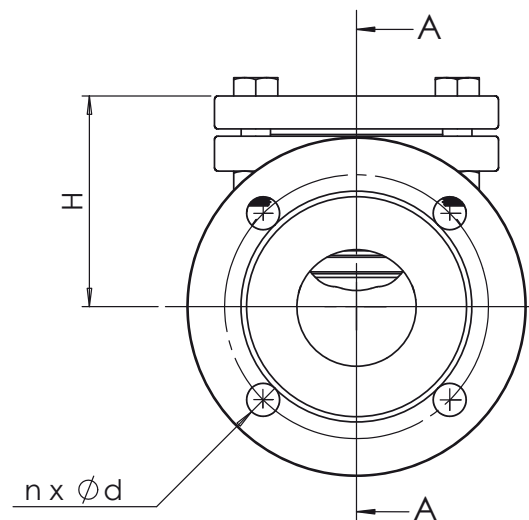
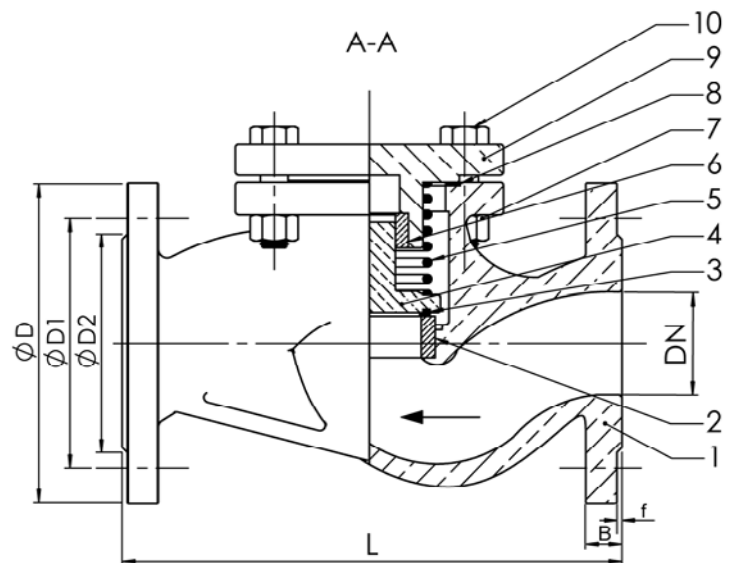
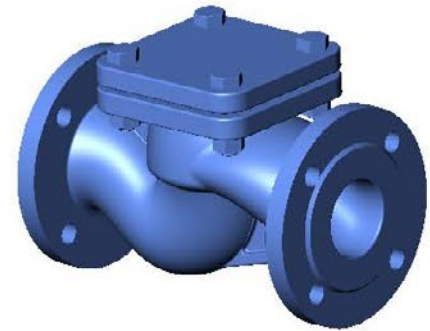
### DIMENSIONS

| DN  |       | L   | D   | D1  | D2  | B  | f | n  | d  | H   | Weight (kg) |
|-----|-------|-----|-----|-----|-----|----|---|----|----|-----|-------------|
| mm  | inch  |     |     |     |     |    |   |    |    |     |             |
| 15  | 1/2"  | 130 | 95  | 65  | 46  | 14 | 2 | 4  | 14 | 64  | 2,34        |
| 20  | 3/4"  | 150 | 105 | 75  | 56  | 16 | 2 | 4  | 14 | 71  | 3,44        |
| 25  | 1"    | 160 | 115 | 85  | 65  | 16 | 3 | 4  | 14 | 81  | 4,28        |
| 32  | 1"1/4 | 180 | 140 | 100 | 76  | 18 | 3 | 4  | 19 | 95  | 7,04        |
| 40  | 1"1/2 | 200 | 150 | 110 | 84  | 18 | 3 | 4  | 19 | 100 | 8,48        |
| 50  | 2"    | 230 | 165 | 125 | 99  | 20 | 3 | 4  | 19 | 111 | 12,1        |
| 65  | 2"1/2 | 290 | 185 | 145 | 118 | 20 | 3 | 4  | 19 | 123 | 16,9        |
| 80  | 3"    | 310 | 200 | 160 | 132 | 22 | 3 | 8  | 19 | 143 | 22,64       |
| 100 | 4"    | 350 | 220 | 180 | 156 | 24 | 3 | 8  | 19 | 159 | 27,6        |
| 125 | 5"    | 400 | 250 | 210 | 184 | 26 | 3 | 8  | 19 | 185 | 51,8        |
| 150 | 6"    | 480 | 285 | 240 | 211 | 26 | 3 | 8  | 23 | 216 | 69,8        |
| 200 | 8"    | 600 | 340 | 295 | 266 | 30 | 3 | 12 | 23 | 257 | 116,8       |
| 250 | 10"   | 730 | 405 | 355 | 319 | 32 | 3 | 12 | 18 | 315 | 196         |
| 300 | 12"   | 850 | 460 | 410 | 370 | 32 | 4 | 12 | 28 | 375 | 289         |

### WORKING CONDITIONS

PS max : 16 bar (TS max : +120 °C)  
13,6 bar (TS max : +180 °C)  
12 bar (TS max : +225 °C)

Pressure test according to standards  
EN 12266-1, DIN 3230, BS 6755 and ISO 5208 :  
Body : 24 bar.  
Seat : 17,6 bar.



### STANDARDS

Face à face according to standards EN 558-1 serie 1 and DIN 3202 /F1.  
Flanges drilled according to standard EN 1092-2 and DIN 2501 : ISO PN16.

