

RUBBER EXPANSION JOINT WITH SWIVEL FLANGES PN 16 AND CONTROL RODS

DDI 724116 N

Ref. : DI 724116N

Rev. : B

Date : 15/12/2015



PA Ventiler AB

GO WITH OUR FLOW

APPLICATION

- General use : connecting pipes.

GENERAL CHARACTERISTICS

- From DN 350 to DN 600.
- Swivel flanges.
- Angular movement 8°.
- Galvanized steel flanges PN16.

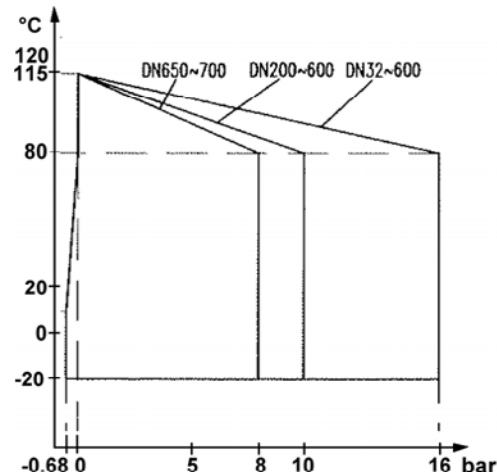
CONSTRUCTION

8	Reinforcement	Nylon tyre
7	Reinforced wire	Steel
6	Rubber	EPDM
5	Flange	Zinc-plated steel
4	Control rod	Galvanized steel
3	Plate	Steel
2	Spring	Steel
1	Nut	Steel
Pos.	Description	Material

DIMENSIONS

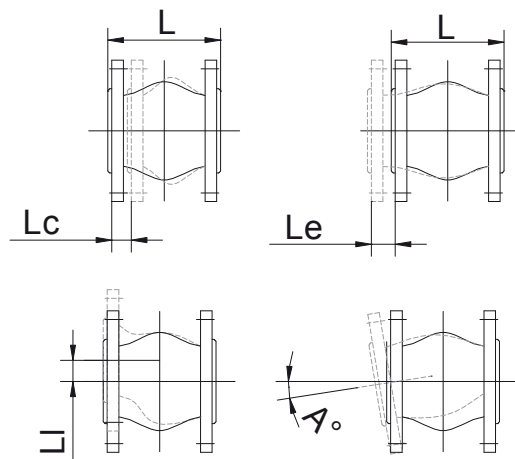
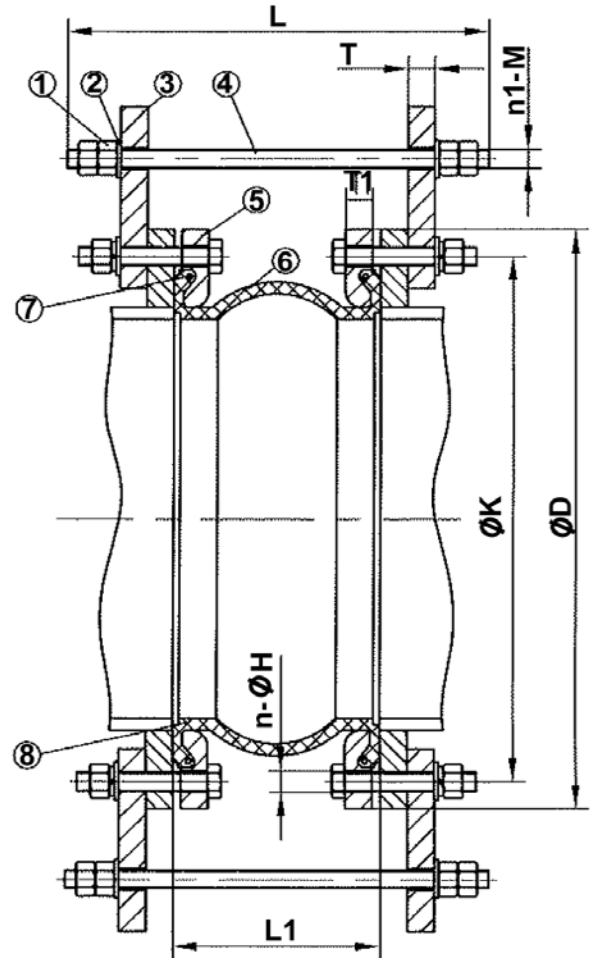
DN	L		L1	ØC	n x ØH	ØD	T	T1	n1xM	Lc	Le	Li	A°	Weight (kg)
	mm	inch												
350	14"	490	265	470	16 x Ø27	520	30	25	4 x M30	30	14	25	8°	61.4
400	16"	510	265	525	16 x Ø30	580	30	27	4 x M30	30	14	25	8°	73.3
450	18"	530	265	585	20 x Ø30	640	30	29	5 x M30	30	14	25	8°	92.5
500	20"	530	265	650	20 x Ø34	715	30	29	5 x M33	30	14	25	8°	107.9
600	24"	550	265	770	20 x Ø36	840	30	29	5 x M33	30	14	25	8°	146.3

WORKING CONDITIONS



STANDARDS

Test procedures are established according to standards EN 12266-1, DIN 3230, BS 6755 and ISO 5208.
Flanges drilled according to standard EN 1092-1 : ISO PN16.



Lc : Axial compression.
Le : Axial extension.
Li : Lateral movement.

