

# FLANGED STAINLESS STEEL EXPANSION JOINT

## DI 7250

Ref. : DI 7250.pas

Rev. : J

Date : 13/01/2016



PA Ventil AB

GO WITH OUR FLOW

### APPLICATION

Expansion joint.

### GENERAL CHARACTERISTICS

Stainless steel bellow.  
Flanged connection.  
Movement :

- 25 mm
- 50 mm
- 75 mm on request.

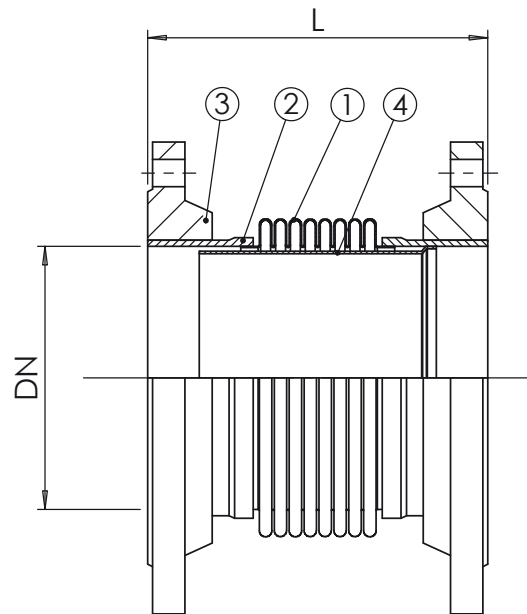
### CONSTRUCTION

4	1	Guide sleeve	Steel
3	2	Flange	Steel
2	2	Socket	Steel
1	1	Bellow	Stainless steel
Pos.	Qty.	Description	Material



### DIMENSIONS

DN	Axial movement	Spring rate	Cross section	L	Weight	
mm	(mm)	(N/mm)	(cm <sup>2</sup> )	(mm)	(kg)	
15	1/2"	25	34	5	180	1,8
15	1/2"	50	17	5	280	1,9
20	3/4"	25	27	8	170	2,4
20	3/4"	50	14	8	260	2,6
25	1"	25	36	11	180	2,8
25	1"	50	18	11	270	3
32	1" 1/4	25	31	18	180	4
32	1" 1/4	50	15	18	280	5
40	1" 1/2	25	39	22	190	5
40	1" 1/2	50	19	22	280	5
50	2"	25	76	37	210	6
50	2"	50	38	37	300	7
65	2" 1/2	25	62	53	200	8
65	2" 1/2	50	31	53	290	8
80	3"	25	59	77	210	10
80	3"	50	29	77	300	11
100	4"	25	313	124	200	11
100	4"	50	169	124	280	13
125	5"	25	744	183	210	15
125	5"	50	401	183	290	17
150	6"	25	996	259	220	20
150	6"	50	536	259	310	22
200	8"	25	745	433	240	28
200	8"	50	474	433	300	30
250	10"	25	1093	657	230	38
250	10"	50	497	657	330	43
300	12"	25	1105	913	250	48
300	12"	50	502	913	360	54
350	14"	25	912	1102	160	65
350	14"	50	415	1102	270	75
400	16"	25	1687	1446	200	90
400	16"	50	1205	1446	250	95
500	20"	25	1858	2220	210	150
500	20"	50	1327	2220	260	160
600	24"	25	1980	3159	220	15
600	24"	50	1414	3159	270	225



### WORKING CONDITIONS

Maximum working pressure :

- 25 bar (DN 15-65)
- 16 bar (DN 80-200)
- 10 bar (DN 250-600)

Maximum temperature : + 400 °C

Pressure test according to standards  
EN 12266-1, DIN 3230, BS 6755 and ISO 5208.

### STANDARDS

Flanges drilled according to standard EN 1092-1.

