

# SOLENOID VALVE NO WITH ASSISTED DIAPHRAGM EV 1141

Ref. : EV 1141.pas

Rev. : B

Date : 29/01/07



PA Ventil AB

GO WITH OUR FLOW

## APPLICATION

Solenoid valve, Normally opened.  
Clear water, hot water, steam (with EPDM gasket)

## GENERAL CHARACTERISTICS

Mini differential pressure :

DN ≤ 2" : 0,1 bar

DN > 2" : 0,2 bar

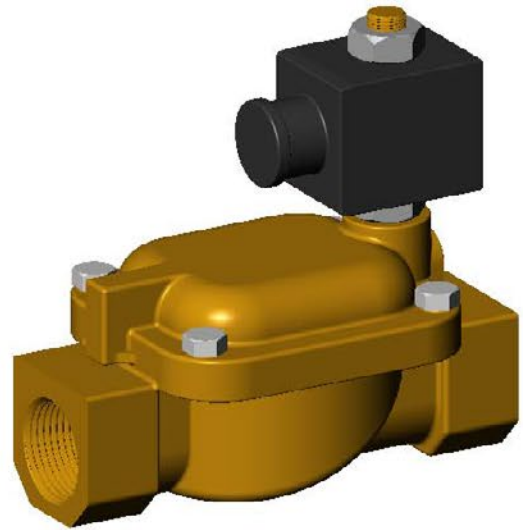
Voltage :

Alternative current (12-24-48-110-230-400 V).

Direct current (12-24-48-110 V).

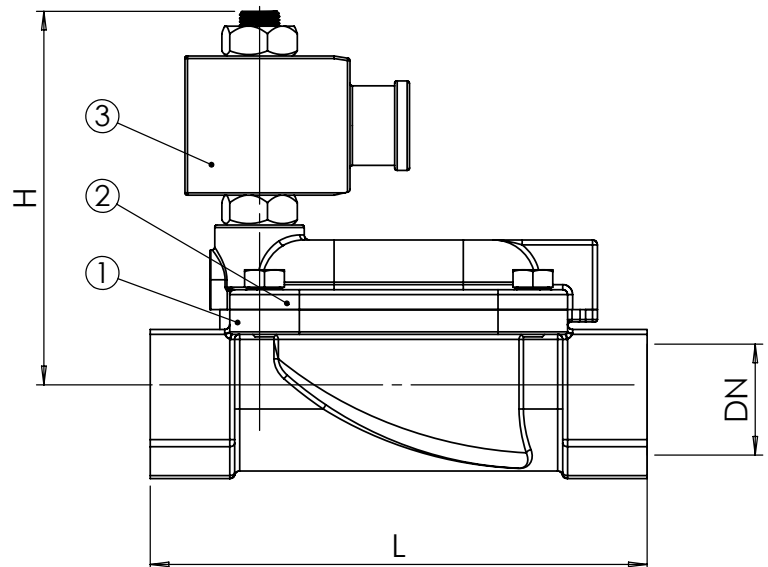
## CONSTRUCTION

5		Internal parts	Stainless steel	
4	1	Diaphragm	NBR	EPDM on request
3	1	Solenoid		
2	1	Bonnet	Brass CuZn40Pb2	DIN: CuZn40Pb2 ASTM: B124 C37700 BS: 12164 CZ122
1	1	Body	Brass CuZn40Pb2	DIN: CuZn40Pb2 ASTM: B124 C37700 BS: 12164 CZ122
<b>Pos.</b>	<b>Qty.</b>	<b>Description</b>	<b>Material</b>	



## DIMENSIONS

DN		L	H
mm	inch		
12	3/8"	69	99,5
15	1/2"	72	101,5
20	3/4"	100	107,0
25	1"	104	112,5
32	1" 1/4	145	134,0
40	1" 1/2	145	134,0
50	2"	173	148,0
65	2" 1/2	245	195,0
80	3"	250	195,0



## WORKING CONDITIONS

Maximum working pressure :

DN ≤ 1" : 20 bar

DN > 1" : 10 bar

Maxi temperature :

+ 90 °C (NBR)

+ 140 °C (EPDM)

## STANDARDS

BSP threaded according to standard ISO 228-1.

