

STAINLESS STEEL SOLENOID VALVE 2/2 NC WITH ASSISTED OPERATING EV 6100

Ref. : EV6100.pas

Rev. : Initial

Date : 22/12/2009



PA Ventil AB

GO WITH OUR FLOW

APPLICATION

General use : Stainless steel solenoid valve with assisted operating intended for the cutting of the networks of aggressive fluids or with the clean applications.

GENERAL CHARACTERISTICS.

Normally closed operation.

Sealing FPM.

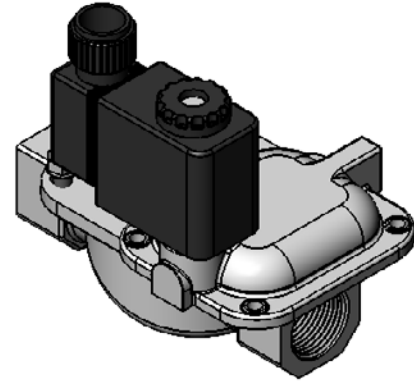
Tension / Voltage :

- Alternative current (24-230V)
- Direct current (24V)

Assembly all positions possible well that in vertical position with solenoid upside down that is to say not recommended.

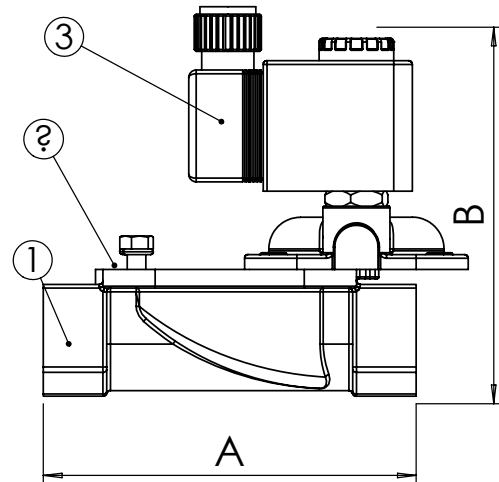
CONSTRUCTION

3	1	SOLENOID	PBT + 30% GF
2	1	BONNET	STAINLESS STEEL 316
1	1	BODY	STAINLESS STEEL 316
Pos.	Qty.	Designation	Material



DIMENSIONS

DN		A	B	Weight (kg)
mm	inch			
12	3/8"	66.5	106.5	0.74
15	1/2"	66.5	106.5	0.725
20	3/4"	96	126	1.43
25	1"	96	126	1.43
32	1" 1/4	131	145.5	2.56
40	1" 1/2	131	145.5	2.32
50	2"	160	160.5	3.44



WORKING CONDITIONS

Maximum working pressure : 10bar.

Maximum temperature : -10°C / + 90°C.

Mini differential pressure : 0,5 bar.

STANDARDS

Thread female gas connection according ISO 228-1.

