

BSP THREADED "Y" STRAINER WITH DRAINING VALVE

F 2142

Ref. : F 2142.pas

Rev. : F

Date :26/01/2015



PA Ventil AB

GO WITH OUR FLOW

APPLICATION

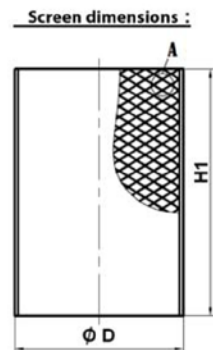
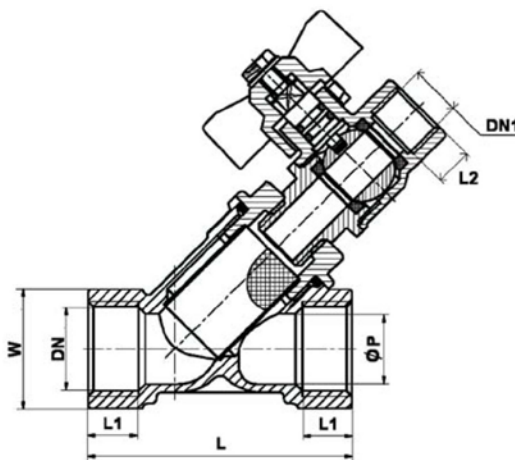
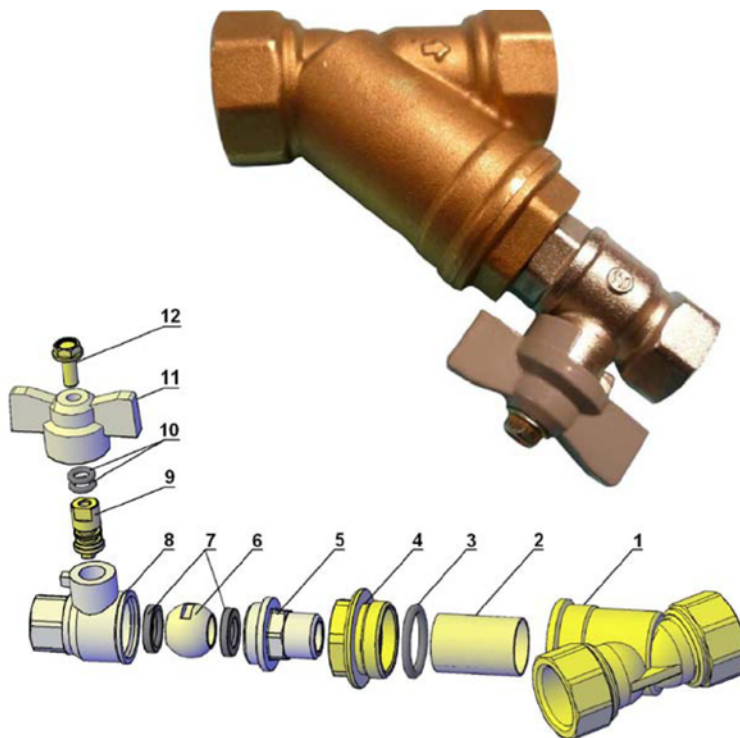
General use : Water distribution and watering.

GENERAL CHARACTERISTICS

Stainless steel removable filter
 Female / female threaded BSP
 With draining valve
 Horizontal or vertical position
 (respect the flow direction indicated by the arrow)
 Mesh 8,5/10° mm (850 µ)

CONSTRUCTION

12		Handle screw	Steel
11		Handle	Aluminium
10		O ring	EPDM
9		Stem	Brass CW 617 N according to EN 12165
8		Draining valve body	Brass CW 617 N suivant EN 12165
7		Seat	PTFE
6		Ball	Brass CW 617 N according to EN 12165 chromed
5	1	Bonnet	Brass CW 617 N according to EN 12165
4	1	Bonnet	Brass CW 617 N according to EN 12165
3	1	O ring	EPDM
2	1	Screen	Stainless steel 304
1	1	Body	Brass CW 617 N according to EN 12165
Pos.	Q-ty	Description	Material



DIMENSIONS

DN	L	L1	L2	DN1	W	D	H1	ØP	Weight (kg)
15	58	11	9	1/4"	25	19	25	16	0,24
20	68	12	9	3/8"	31	24	40	20	0,32
25	75	14	9	3/8"	38	28	41	26	0,44
32	90	16,5	9	3/8"	47	34	46	32	0,545
40	108	18	9	3/8"	54	43	54	42	0,895
50	130	20	9	3/8"	67	53	63	52	1,4

WORKING CONDITIONS

Maximum working pressure : 16 bar.
 Maximum working temperature : 0°C / + 120°C.

STANDARDS

Fabrication according to ISO 9001 :2008
 DIRECTIVE 2014/68/UE : Products excluded from directive (Article 1, § 3.2)
 Threaded female BSP cylindric

HEAD LOSS GRAPH

