

FLANGED TYPE "Y" STRAINER

PN 40

F 4260

Ref. : F 4260

Rev. : Initial

Date : 05/09/2016



PA Ventil AB

GO WITH OUR FLOW

APPLICATION

Pumping and water distribution.

GENERAL CHARACTERISTICS

Compact and robust design.
Ductile iron body and cover.
Epoxy coating.
Stainless steel mesh.
Drain plug.
Flange connection PN40.

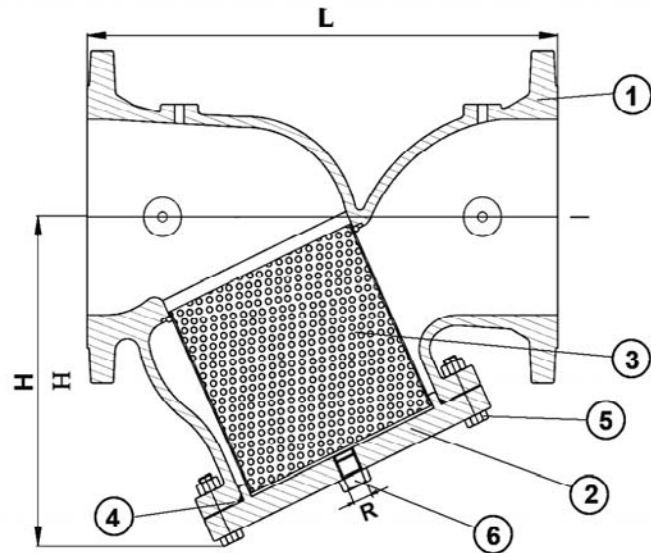
CONSTRUCTION

6	1	Drain plug	Bronze
5	4	Fasteners	Galvanized steel
4	1	Joint	EPDM
3	1	Mesh	Stainless steel
2	1	Cover	Ductile iron GGG40
1	1	Body	Ductile iron GGG40
Pos.	Q-ty	description	Material



DIMENSIONS

DN		L	H	R	Mesh (mm)	Weight (kg)
mm	inch					
40	1 1/2	205	123	3/4"	1.5	9
50	2"	217	125	3/4"	1.5	10
65	2 1/2	222	125	3/4"	3	12
80	3"	264	170	1 1/2"	3	20
100	4"	335	210	1 1/2"	3	34
125	5"	335	210	1 1/2"	5	36
150	6"	433	280	1 1/2"	5	58
200	8"	524	340	1 1/2"	5	95
250	10"	637	410	1 1/4"	5	153
300	12"	762	475	2"	5	266
350	14"	769	475	2"	5	288
400	16"	1025	630	2"	5	590
450	18"	1045	630	2"	5	735
500	20"	1140	630	3"	5	800
600	24"	-	954	3"	5	-



WORKING CONDITIONS

Maximum working pressure : 40 bar

STANDARDS

Test pressure according to EN 12266-1,
DIN 3230, BS 5154 and ISO 5208 :
Body : 60 bar.
Flange connection according to EN1092-2 ISO PN40.



The photographs and technical art works are not contractual. The specifications of the presented products are open to modifications without previous advice.