

FLANGED TYPE "Y" STRAINER PN 16

F 6240

Ref. : F 6240.pas

Rev. : E

Date : 13/12/13



PA Ventil AB

GO WITH OUR FLOW

APPLICATION

General use : for Chemical and pharmaceutical industries, petrochemical industries, hydraulic installation, compressed air.

GENERAL CHARACTERISTICS

From DN 15 to DN 200.
Removable stainless steel filter
Horizontal or vertical position with descendant fluid (respect the flow direction indicated by the arrow)
Mesh 8/10° mm (800 µ) up to DN 50 , 10/10° mm from DN 65 to 80 and 30/10° over
Bolted bonnet with draining cap threaded BSP

CONSTRUCTION

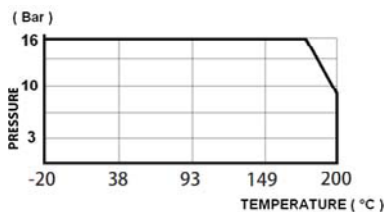
8		Screw	Stainless steel 304
7		Washer	Stainless steel 304
6		Bonnet gasket	PTFE
5	1	Gasket	PTFE
4	1	Draining cap	Stainless steel A351 CF8M
3	1	Bonnet	Stainless steel A351 CF8M
2	1	Filter	Stainless steel 304
1	1	Body	Stainless steel A351 CF8M
Pos.	Q-ty	Description	

DIMENSIONS

DN		L	H	G(Drain)	ØD	H1	Mesh (mm)	Weight (kg)
mm	inch							
15	1/2"	130	85	1/2"	19	57	0.8	2
20	3/4"	150	85	1/2"	4	55	0.8	2.7
25	1"	160	112	1/2"	27	87	0.8	3.5
32	1" 1/4	180	114	1/2"	40	82	0.8	5
40	1" 1/2	200	132	1/2"	43	99.5	0.8	6.1
50	2"	230	150	1/2"	54	102	0.8	8.1
65	2" 1/2	290	185	1/2"	65	135	1	12.3
80	3"	310	200	1/2"	85	150	1	15.5
100	4"	350	232	3/4"	103	160	3	22
125	5"	400	274	3/4"	128	221	3	30
150	6"	480	328	3/4"	154	250	3	45.1
200	8"	600	410	3/4"	208	300	3	77.1

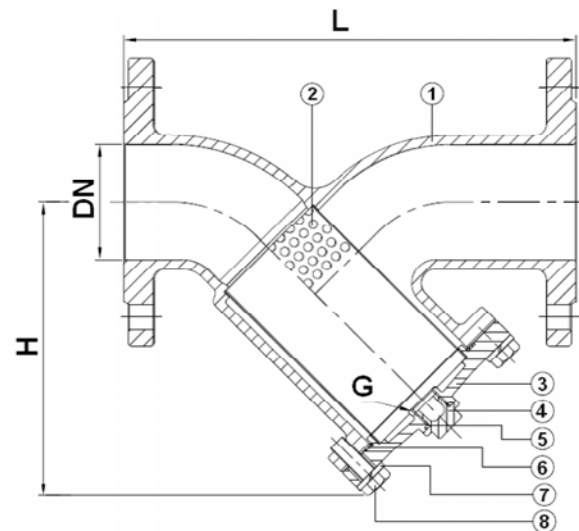
WORKING CONDITIONS

Maximum working pressure : 16 bar.
Maximum working temperature : -20°C / 200°C.

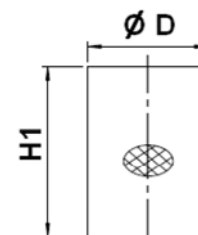


STANDARDS

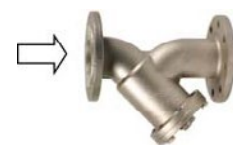
Fabrication according to ISO 9001 : 2008
Construction according to EN 12516-1
Tests according to API 598
Face to face according to EN 558 series1 (DIN 3202 F1 – NF 29354)
ISO PN16 Flanges R.F. according to EN 1092-1



Filter sizes



Vertical position
(descendant fluid)



Horizontal position



The photographs and technical art works are not contractual. The specifications of the presented products are open to modifications without previous advice.