

# BRASS FLOAT VALVE

## RF 1100

Ref. : RF 1100.pas

Rev. : G

Date : 08/03/2013



PA Ventil AB

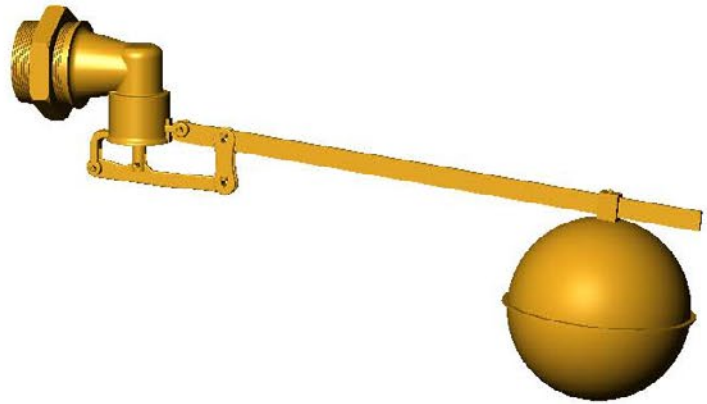
GO WITH OUR FLOW

### APPLICATION

Fluid section.  
Measure, control, gauge.

### GENERAL CHARACTERISTICS

Ball valve with double toggles.  
Brass body, copper float or adjustable PVC.  
Round arm for connection 1/4W from DN10 to DN15.  
Flat arm from DN20 to DN100.



### CONSTRUCTION

5	1	Lever	DN12-15 Brass DN20-50 Stainless steel DN65-100 Brass	
4	1	Nut	Brass CuZn39Pb2	DIN: CuZn39Pb2 ASTM: B124 C37700 BS: 12164 CZ121
3	1	Seat	Brass	
2	1	Float	Copper, PVC	
1	1	Body	Brass CuZn39Pb2	DIN: CuZn39Pb2 ASTM: B124 C37700 BS: 12164 CZ121
<b>Rep.</b>	<b>Nb.</b>	<b>Description</b>	<b>Material</b>	

### DIMENSIONS

DN		A	ØD	Working pressure PSmax (bar)	Flow (l/min)	Weight Float (kg)	Weight Valve (kg)
mm	inch						
10	3/8"	175	90	2	12	0.036	0.143
				5	15		
15	1/2"	175	90	2	12	0.036	0.225
				5	15		
20	3/4"	300	120	2	52	0.2	0.5
25	1"	300	150	2	134	0.2	0.49
32	1" 1/4	500	180	1	264	0.3	0.94
40	1" 1/2	500	180	1	464	0.3	1.43
50	2"	500	220	1	594	0.5	1.89
65	2" 1/2	600	300	1	719	2	4.15
80	3"	650	300	1	1030	2	5.10
100	4"	700	300	1	1585	2	7.95

### WORKING CONDITIONS

Maximum temperature : + 80°C.

Pressure test according to standards  
EN 12266-1, DIN 3230, BS 5154 and ISO 5208.

### STANDARDS

BSP threaded according to standard ISO 228-1.

