

STAINLESS STEEL FLOAT VALVE

RF 6141

Ref. : RF 6141

Rev. : Initial

Date : 16/09/2016



PA Ventil AB

GO WITH OUR FLOW

APPLICATION

Liquid level control in tanks, deposits, etc.

GENERAL CHARACTERISTICS

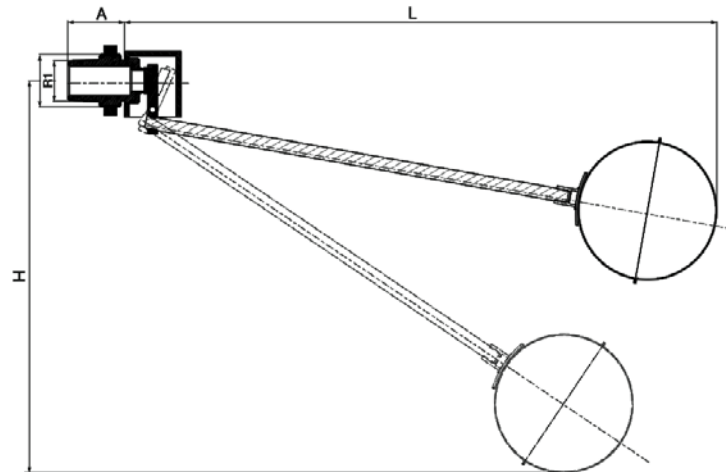
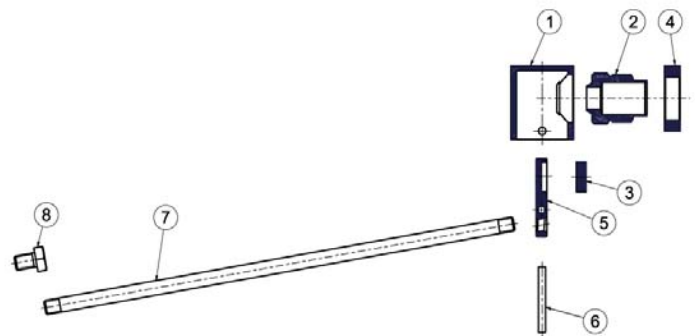
Range from DN 3/8" to DN 2"1/2.
Stainless steel valve and float.
Simplicity of construction ensuring minimum maintenance.
Guarantees absolute opening and closing precision.
Materials carefully selected for their resistance to corrosion.
Fully constructed from laminated bars.

CONSTRUCTION

Pos.	Description	Material
8	Connector	Stainless steel EN 1,4401
7	Stem	Stainless steel EN 1,4401
6	Pin	Stainless steel EN 1,4401
5	Lever	Stainless steel EN 1,4408
4	Nut	Stainless steel EN 1,4401
3	Closure	Silicone
2	Coupling	Stainless steel EN 1,4401
1	Body	Stainless steel EN 1,4401

DIMENSIONS

DN	Pressure (bar)	Float dimension	L	H	R	A	Weight (kg)
3/8"	3	60x120mm	396	215	6	31	0,38
	5	90mm	366	210			0,41
	15	110mm	386	225			0,5
	16	150x60mm	428	222			0,6
1/2"	1,9	60x120mm	434	252	10	35	0,53
	2,8	90mm	404	245			0,56
	4,5	110mm	424	260			0,64
	5,8	150x60mm	420	260			0,9
3/4"	13	150mm	413	267	12,5	40	0,84
	1,7	90mm	450	240			1,04
	2,5	110mm	469	255			1,12
	3,5	150x60mm	509	250			1,27
1"	11	150mm	507	282	16	45	1,32
	1	110mm	475	257			1,2
	1,5	150x60mm	507	250			1,34
	3,5	200x80mm	565	275			1,48
	4,5	150mm	510	285			1,38
	5,5	150mm	615	327			1,25
1"1/4	10,5	250x95mm	732	350	21	50	1,77
	1,5	150mm	637	317			1,82
	3,5	250x95mm	737	327			2,21
	8	200mm	680	355			1,95
1"1/2	10	300x15mm	787	350	24	57	2,72
	2	250x95mm	660	285			2,6
	4	200mm	610	315			2,57
	7	300x115mm	710	310			3,11
2"	10	350x130mm	760 ou 710	33 ou 385	29	60	3,25 ou 3,3
	3	200mm	677	410			3,86
	5	300x115mm	777	417			4,39
	8	350x130mm	827	440			4,81
	10	300mm	777	485			4,87
2"1/2	2	200mm	704	42	40	79	6,52
	2,5	300x115mm	804	427			7,3
	5	300mm	845 ou 804	450 ou 490			7,72 ou 7,5



WORKING CONDITIONS

Maximum working pressure: 16 bar.
Maximum working temperature: -60°C / 200°C

Pressure bar	16	15	14
Temperature °C	-60° / 120°C	-60° / 180°C	-60° / 200°C

STANDARDS

BSP Threaded connection according to ISO 228/1

