

TRUTORQ PNEUMATIC ACTUATOR TYPE C, METRIC

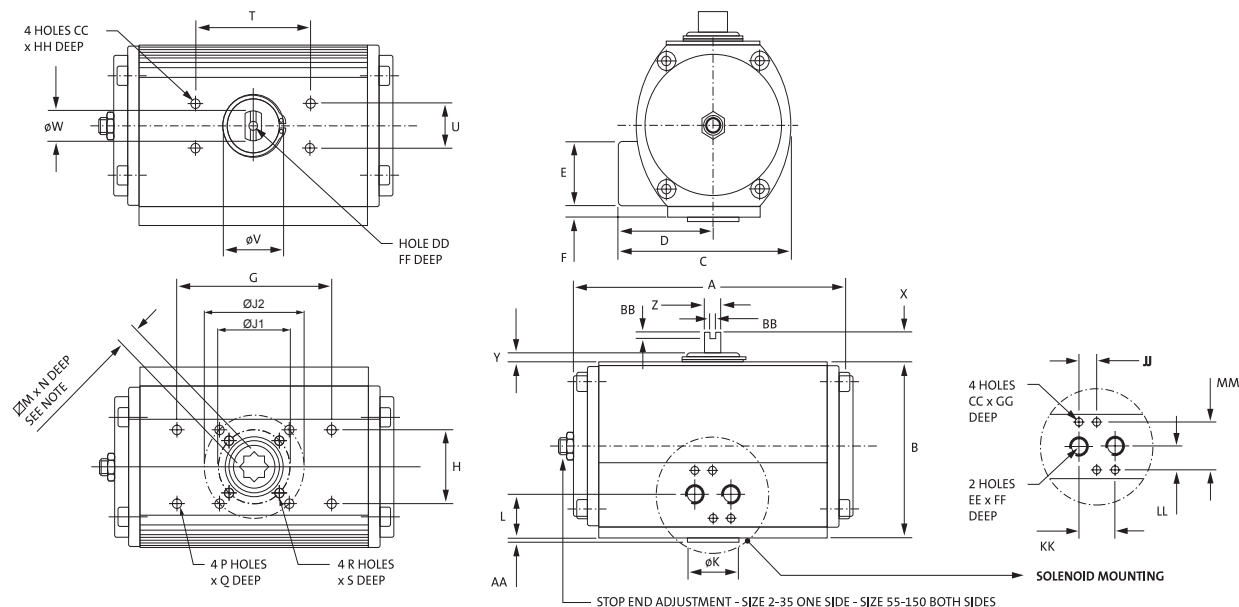
Size 2, 4, 8, 12, 20, 35 and 55



PA Ventil AB

GO WITH OUR FLOW

- Double acting (DA) and Spring Return (SR)
- Single End Stop Adjustment, open position (DA and SR)
- Option: Single end stop adjustment, closed position (Only DA)



DIMENSIONS, METRIC (mm)

Actuator size	ISO 5211*		A	B	C	D	E	F	G	H	PCD		ØK	L	M	N	P	Q	R	S	T
	J1	J2									ØJ1	ØJ2									
TT 2	F03	—	114.5	73.0	75.5	43.5	41.0	—	73.0	32.0	36.0	—	25.0	20.5	9.0	10.0	M5	8.0	M5	8.0	80.0
TT 4	F04	—	133.0	90.5	87.5	47.5	41.0	—	73.0	32.0	42.0	—	30.0	20.5	11.0	12.0	M5	8.0	M5	8.0	80.0
TT 8	F05	F07	162.0	109.0	105.0	57.0	42.0	7.5	73.0	32.0	50.0	70.0	35.0	28.5	14.0	16.0	M6	10.0	M6	10.0	80.0
TT 12	F05	F07	194.0	118.5	121.0	67.0	43.0	8.0	107.0	49.0	50.0	70.0	35.0	29.5	17.0	16.0	M6	10.0	M6	10.0	80.0
TT 20	F07	F10	218.0	140.5	136.5	72.0	43.0	8.0	107.0	49.0	70.0	102.0	55.0	29.5	17.0	19.0	M6	10.0	M8	13.0	80.0
TT 35	F07	F10	266.0	166.5	156.0	78.0	43.0	8.5	161.0	73.0	70.0	102.0	70.0	30.0	22.0	24.0	M6	12.0	M10	16.0	80.0
TT 55	F10	F12	312.0	207.5	191.0	95.5	43.0	20.5	161.0	73.0	102.0	125.0	85.0	42.0	27.0	29.0	M8	15.0	M12	20.0	130.0

* When two different standards are given, e.g. F05/F07; dual drilled.
Figures in bold according to ISO 5211, correspond vs. size of square drive.

Actuator size	ISO 5211*		U	ØV	ØW	X	Y	Z	AA	BB	CC	DD	EE	FF	GG	HH	JJ	KK	LL	MM
	J1	J2																		
TT 2	F03	—	30.0	25.0	16.0	20.0	4.5	11.5	2.0	4.0	M5	M6	G1/8"	12.0	8.0	5.0	12.0	24.0	16.0	32.0
TT 4	F04	—	30.0	31.0	20.0	20.0	4.5	11.5	2.0	4.0	M5	M6	G1/8"	12.0	8.0	5.0	12.0	24.0	16.0	32.0
TT 8	F05	F07	30.0	35.0	20.0	20.0	5.0	11.5	3.0	4.0	M5	M6	G1/8"	12.0	8.0	5.0	12.0	24.0	16.0	32.0
TT 12	F05	F07	30.0	45.0	20.0	20.0	5.5	11.5	3.0	4.0	M5	M6	G1/4"	12.0	8.0	5.0	12.0	24.0	16.0	32.0
TT 20	F07	F10	30.0	50.0	32.0	20.0	6.5	19.0	3.0	4.0	M5	M6	G1/4"	12.0	8.0	5.0	12.0	24.0	16.0	32.0
TT 35	F07	F10	30.0	61.0	32.0	20.0	7.0	19.0	3.0	4.0	M5	M6	G1/4"	12.0	8.0	5.0	12.0	24.0	16.0	32.0
TT 55	F10	F12	30.0	61.0	40.0	30.0	7.5	25.4	3.0	4.0	M5	M6	G1/4"	12.0	8.0	5.0	12.0	24.0	16.0	32.0

TRUTORQ PNEUMATIC ACTUATOR TYPE C, METRIC

Size 2, 4, 8, 12, 20, 35 and 55



PA Ventil AB

GO WITH OUR FLOW

TORQUE

Actuator Size	Air Supply	DA Torque	SR Torque (Nm)				
	BAR	Nm	Air - Start	Air - End	Spring - Start	Spring - End	Spring Qty
TT 2	6	20	13	7	13	7	4+4
TT 4	6	41	27	15	26	14	4+4
TT 8	6	90	58	32	57	31	4+4
TT 12	6	122	79	44	78	43	4+4
TT 20	6	202	130	71	130	71	4+4
TT 35	6	374	241	133	241	132	4+4
TT 55	6	597	385	212	384	211	4+4

OPERATING DETAILS

Actuator Size	Operating time (sec) *				Air consumption (litre)		Overall weight (kg)	
	DA Open	DA Close	SR Open	SR Close	Open	Close	DA	SR
TT 2	<1	<1	<1	<1	0.09	0.12	1.0	1.1
TT 4	<1	<1	<1	<1	0.18	0.24	1.8	1.9
TT 8	<1	<1	<1	<1	0.34	0.41	3.1	3.4
TT 12	1.5	1.5	1.5	1.0	0.49	0.64	4.2	4.7
TT 20	2.0	2.0	2.0	1.5	0.90	1.00	6.6	7.5
TT 35	2.5	2.5	2.5	2.0	1.69	1.90	11.1	12.8
TT 55	3.5	3.5	3.5	3.0	2.80	3.40	17.1	20.2

* Note! May be affected by air pipe diameter and type of solenoid valve