

# TORQ PNEUMATIC ACTUATOR TYPE E, METRIC

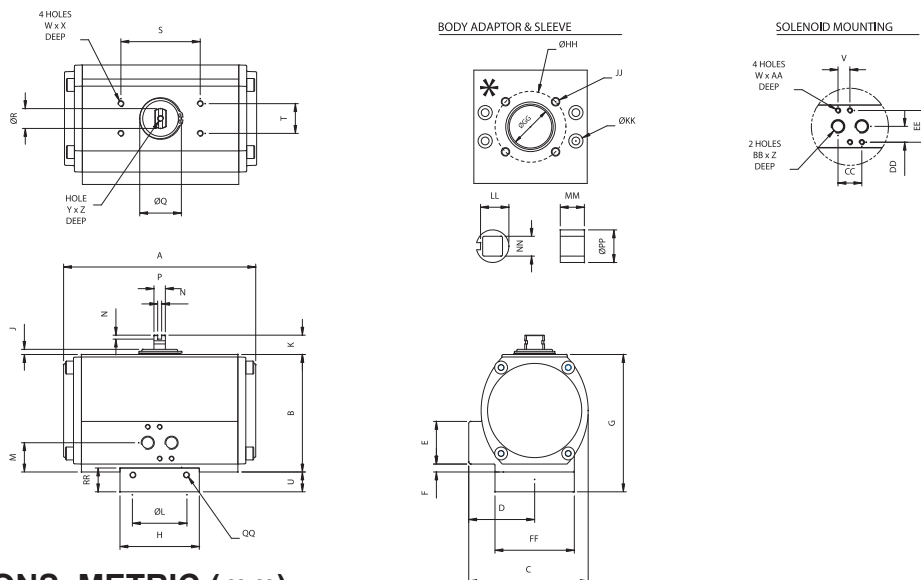
Size 8, 12, 20, 35, 55, 70, 100 and 150



PA Ventil AB

GO WITH OUR FLOW

- Double acting (DA) and Spring Return (SR)
- Double End Stop Adjustment, open and closed position
- Body Adaptor Kit with Square (Double D or Key) insert



## DIMENSIONS, METRIC (mm)

Actuator size	ISO 5211*		A	B	C	D	E	F	G	H	J	K	ØL	M	N	P	ØQ	ØR	S	T	U	V
	A <sub>1</sub>	A <sub>2</sub>																				
TT 8	F05	F07	162.0	109.0	105.0	57.0	42.0	7.5	127.0	80.0	5.0	20.0	35.0	27.0	4.0	11.5	35.0	20.0	80.0	30.0	18.0	12.0
TT 8	F07	-	162.0	109.0	105.0	57.0	42.0	7.5	127.0	80.0	5.0	20.0	35.0	27.0	4.0	11.5	35.0	20.0	80.0	30.0	18.0	12.0
TT 12	F05/F07	-	194.0	118.5	121.0	67.0	43.0	8.0	138.5	80.0	5.5	20.0	35.0	29.5	4.0	11.5	46.0	20.0	80.0	30.0	20.0	12.0
TT 12	F07	-	194.0	118.5	121.0	67.0	43.0	8.0	138.5	80.0	5.5	20.0	35.0	29.5	4.0	11.5	46.0	20.0	80.0	30.0	20.0	12.0
TT 20	F07	-	218.0	140.5	136.5	72.0	43.0	8.0	164.5	90.0	6.5	20.0	55.0	29.5	4.0	19.0	50.0	32.0	80.0	30.0	24.0	12.0
TT 35	F07/F10	-	266.0	166.5	156.0	78.0	43.0	8.5	196.7	120.0	7.0	30.0	55.0	30.0	4.0	19.0	61.0	32.0	80.0	30.0	30.2	12.0
TT 35	F10	-	266.0	166.5	156.0	78.0	43.0	8.5	196.7	120.0	7.0	30.0	55.0	30.0	4.0	19.0	61.0	32.0	80.0	30.0	30.2	12.0
TT 55	F10/F12	-	312.0	207.5	191.0	95.5	43.0	20.5	242.5	140.0	7.5	30.0	85.0	42.0	4.0	25.4	61.0	40.0	130.0	30.0	35.0	12.0
TT 55	F12/F10	-	312.0	207.5	191.0	95.5	43.0	20.5	242.5	140.0	7.5	30.0	85.0	42.0	4.0	25.4	61.0	40.0	130.0	30.0	35.0	12.0
TT 70	F10/F12	-	340.0	211.0	191.0	95.5	43.0	20.5	247.0	140.0	7.0	30.0	85.0	42.0	4.0	25.4	72.0	40.0	130.0	30.0	36.0	12.0
TT 70	F12/F10	-	340.0	211.0	191.0	95.5	43.0	20.5	247.0	140.0	7.0	30.0	85.0	42.0	4.0	25.4	72.0	40.0	130.0	30.0	36.0	12.0
TT 100	F14	-	361.0	253.3	227.0	113.5	43.0	39.5	303.0	160.0	7.0	30.0	100.1	61.0	4.0	25.4	78.0	40.0	130.0	30.0	49.8	12.0
TT 150	F14	-	390.0	302.0	280.0	140.0	43.0	56.5	351.0	160.0	7.0	30.0	100.1	78.0	4.0	25.4	78.0	40.0	130.0	30.0	49.0	12.0

Actuator size	ISO 5211*		W	X	Y	Z	AA	BB	CC	DD	EE	FF	ØGG	ØHH	JJ	ØKK	LL	MM	NN	ØPP	QQ	RR
	A <sub>1</sub>	A <sub>2</sub>																				
TT 8	F05	F07	M5	5.0	M6	12.0	8.0	G1/8"	24.0	16.0	32.0	79.0	30.0	50.0	M6	5.5	20.0	17.0	14.0	23.0	M5	22.0
TT 8	F07	-	M5	5.0	M6	12.0	8.0	G1/8"	24.0	16.0	32.0	79.0	47.0	70.0	M8	5.5	29.5	17.0	17.0	33.0	M6	24.0
TT 12	F05/F07	-	M5	5.0	M6	12.0	8.0	G1/4"	24.0	16.0	32.0	79.0	30.0	50.0	M6	5.5	20.0	17.0	14.0	23.0	M5	22.0
TT 12	F07	-	M5	5.0	M6	12.0	8.0	G1/4"	24.0	16.0	32.0	79.0	47.0	70.0	M8	5.5	29.5	17.0	17.0	33.0	M6	24.0
TT 20	F07	-	M5	5.0	M6	12.0	8.0	G1/4"	24.0	16.0	32.0	89.9	46.0	70.0	M8	6.6	29.5	20.0	17.0	33.0	M8	28.0
TT 35	F07/F10	-	M5	5.0	M6	12.0	8.0	G1/4"	24.0	16.0	32.0	119.9	46.0	70.0	M8	9.0	29.5	20.0	17.0	33.0	M10	34.0
TT 35	F10	-	M5	5.0	M6	12.0	8.0	G1/4"	24.0	16.0	32.0	119.9	61.0	102.0	M10	9.0	39.0	25.0	22.0	44.0	M10	34.0
TT 55	F10/F12	-	M5	5.0	M6	12.0	8.0	G1/4"	24.0	16.0	32.0	139.9	61.0	102.0	M10	11.0	50.0	25.0	22.0	55.0	M10	40.0
TT 55	F12/F10	-	M5	5.0	M6	12.0	8.0	G1/4"	24.0	16.0	32.0	139.9	75.0	125.0	M12	11.0	50.0	25.0	27.0	55.0	M10	40.0
TT 70	F10/F12	-	M5	5.0	M6	12.0	8.0	G1/4"	24.0	16.0	32.0	139.9	61.0	102.0	M10	11.0	50.0	25.0	22.0	55.0	M10	40.0
TT 70	F12/F10	-	M5	5.0	M6	12.0	8.0	G1/4"	24.0	16.0	32.0	139.9	75.0	125.0	M12	11.0	50.0	25.0	27.0	55.0	M10	40.0
TT 100	F14	-	M5	5.0	M6	12.0	8.0	G1/4"	24.0	16.0	32.0	159.9	88.0	140.0	M16	14.0	62.5	35.0	36.0	68.0	M14	57.0
TT 150	F14	-	M5	5.0	M6	12.0	8.0	G1/4"	24.0	16.0	32.0	159.9	88.0	140.0	M16	14.0	62.5	35.0	36.0	68.0	M14	57.0

# TORQ PNEUMATIC ACTUATOR TYPE E, METRIC

Size 8, 12, 20, 35, 55, 70, 100 and 150



PA Ventil AB

GO WITH OUR FLOW

## TORQUE

Actuator Size	Air Supply	DA Torque	SR Torque (Nm)				
	BAR	Nm	Air - Start	Air - End	Spring - Start	Spring - End	Spring Qty
TT 8	6	90	58	32	57	31	4+4
TT 12	6	122	79	44	78	43	4+4
TT 20	6	202	130	71	130	71	4+4
TT 35	6	374	241	133	241	132	4+4
TT 55	6	597	385	212	384	211	4+4
TT 70	6	824	533	294	531	292	4+4
TT 100	6	1122	725	399	723	398	4+4
TT 150	6	1655	1069	589	1066	586	4+4

## OPERATING DETAILS

Actuator Size	Operating time (sec) *				Air consumption (litre)		Overall weight (kg)	
	DA Open	DA Close	SR Open	SR Close	Open	Close	DA	SR
TT 8	< 1	< 1	< 1	< 1	0,34	0,41	3,4	3,8
TT 12	1,5	1,5	1,5	1,0	0,49	0,64	5,0	5,5
TT 20	2,0	2,0	2,0	1,5	0,90	1,00	7,2	8,1
TT 35	2,5	2,5	2,5	2,0	1,69	1,90	12,9	14,6
TT 55	3,5	3,5	3,5	3,0	2,80	3,40	19,1	22,2
TT 70	4,0	4,0	4,0	3,0	3,05	3,70	24,4	28,0
TT 100	4,5	4,5	5,5	3,0	5,52	5,90	31,2	35,8
TT 150	5,0	5,0	7,0	4,0	7,60	9,60	44,5	53,0

\* Note! May be affected by air pipe diameter and type of solenoid valve