

# RESILIENT SEAT GATE VALVE WITH ELECTRIC ACTUATOR

## VOC 4241 AM-B04

Ref. : VOC4241AM-B04.pas

Rev. : Initial

Date : 26/09/2013



PA Ventiler AB

GO WITH OUR FLOW

### APPLICATION

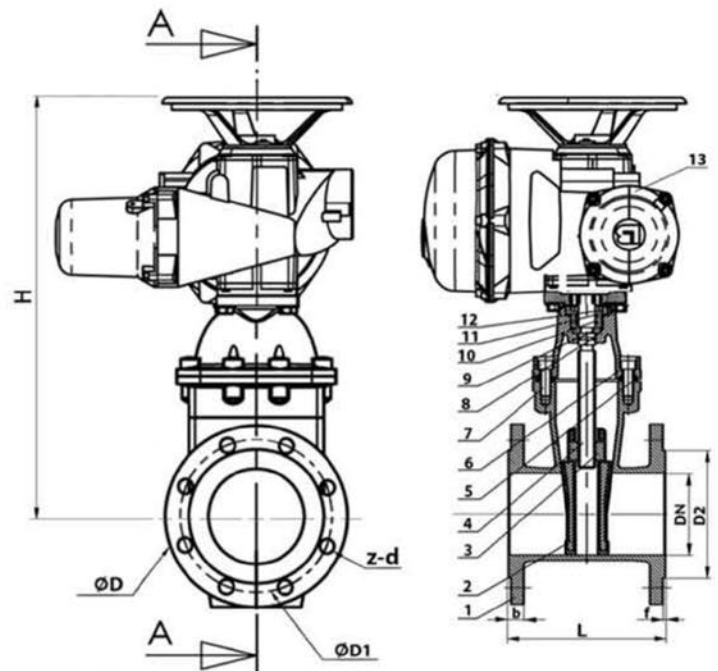
General use : Water supply, fire protection, irrigation, water treatment.

### GENERAL CHARACTERISTICS

Range : from DN50 to DN400.  
Non rising stem.  
Clockwise to close.  
No zone of retention.  
Low head losses.  
With electric actuator BERNARD.

### CONSTRUCTION

13	Actuator	BERNARD	
12	Minipad	PTFE	
11	Bonnet nut	Brass	
10	O-Ring	EPDM	
9	Locating ring	Brass	
8	O-Ring	EPDM	
7	Bolt	Steel	A3
6	Bonnet	Ductile iron	DIN: GGG 50 ASTM: A536 65-45-12 BS: 1563 EN-JS1050
5	Gasket	EPDM	
4	Stem	Stainless steel	
3	Stem nut	Brass	
2	Wedge	EPDM coated ductile iron	DIN: GGG 50 ASTM: A536 65-45-12 BS: 1563 EN-JS1050
1	Body	Ductile iron	DIN: GGG 50 ASTM: A536 65-45-12 BS: 1563 EN-JS1050
Rep.	Description	Material	



### DIMENSIONS

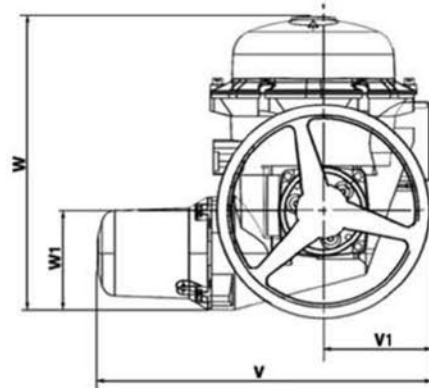
DN											Actuator dimensions				
mm	inch	ØD	ØD1	ØD2	L	H	b	f	Z - Ød	Ref.	V	V1	W	W1	
50	2"	165	125	99	150	227	19	3	4 - Ø19	ST6	472	151	409	122	
65	2 1/2"	185	145	118	170	240	19	3	4 - Ø19	ST6	472	151	409	122	
80	3"	200	160	132	180	265	19	3	8 - Ø19	ST14	469	151	403	138	
100	4"	220	180	156	190	298	19	3	8 - Ø19	ST14	469	151	403	138	
125	5"	250	210	184	200	350	19	3	8 - Ø19	ST14	469	151	403	138	
150	6"	285	240	211	210	391	19	3	8 - Ø23	ST14	469	151	403	138	
200	8"	340	295	266	230	496	20	3	12 - Ø23	ST30	578	145	535	225	
250	10"	400	355	319	250	569	22	3	12 - Ø28	ST30	578	145	535	225	
300	12"	455	410	370	270	663	25	4	12 - Ø28	ST30	578	145	535	225	
350	14"	520	470	429	290	775	27	4	16 - Ø28	ST30	578	145	535	225	
400	16"	580	525	480	310	851	28	4	16 - Ø31	ST14+ASM13	578	145	535	225	

### WORKING CONDITIONS

Maximum working pressure : 16 bar.  
Maximum working temperature: 110°C

### STANDARDS

Face to face according to EN558-1 serie 14 and DIN 3202 / F4 Short pattern.  
Connection according to standard EN 1092-2 ISO PN10/16.



The photographs and technical art works are not contractual. The specifications of the presented products are open to modifications without previous advice.