

# RESILIENT SEAT GATE VALVE WITH ELECTRIC ACTUATOR

## VOC 4241 AM-U04

Ref. : VOC 4241AM-U04

Rev. : A

Date: 11/06/2014



PA Ventil AB

GO WITH OUR FLOW

### APPLICATION

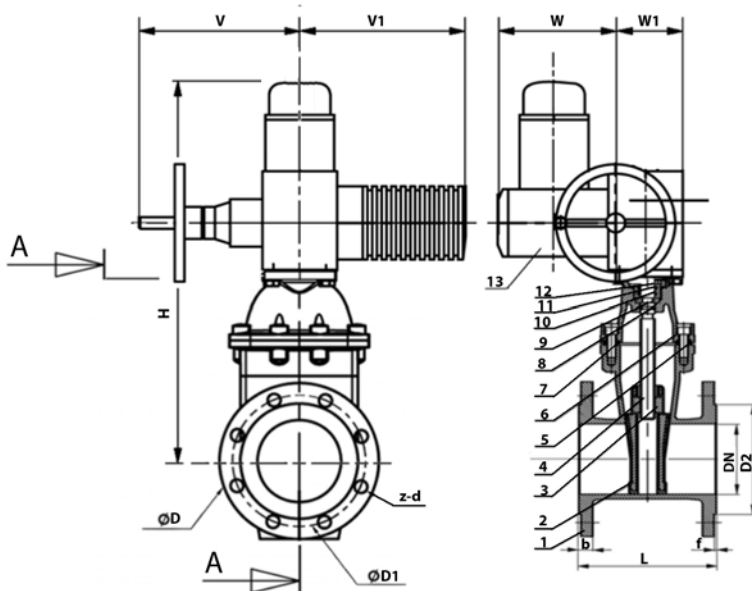
General use: water supply, fire protection, irrigation, water treatment.

### GENERAL CHARACTERISTICS

Design conform to NF EN 1171.  
Low head losses.  
No retention zone.  
Operated by electric actuator AUMA.

### CONSTRUCTION

13	Electric actuator	AUMA
12	Minipad	PTFE
11	Bonnet nut	Brass
10	O-ring	EPDM
9	Locating ring	Brass
8	O-ring	EPDM
7	Bolt	Steel A3
6	Bonnet	Ductile iron GGG50
5	Gasket	EPDM
4	Stem	Stainless steel 2Cr13
3	Stem nut	Brass
2	Wedge	EPDM coated ductile iron GGG50
1	Body	Ductile iron GGG50
<b>Pos.</b>	<b>Description</b>	<b>Material</b>



### DIMENSIONS

DN											Actuator dimensions				
mm	inch	ØD	ØD1	ØD2	L	H	b	f	Z - Ød	Ref.	V	V1	W	W1	
50	2"	165	125	99	150	498	19	3	4 - Ø19	SA07.6	186	265	238	62	
65	2 1/2"	185	145	118	170	508	19	3	4 - Ø19	SA07.6	186	265	238	62	
80	3"	200	160	132	180	535	19	3	8 - Ø19	SA10.2	191	283	248	65	
100	4"	220	180	156	190	568	19	3	8 - Ø19	SA10.2	191	283	248	65	
125	5"	250	210	184	200	620	19	3	8 - Ø19	SA10.2	191	283	248	65	
150	6"	285	240	211	210	661	19	3	8 - Ø23	SA10.2	191	283	248	65	
200	8"	340	295	266	230	787	20	3	12 - Ø23	SA14.2	242	389	286	91	
250	10"	400	355	319	250	855	22	3	12 - Ø28	SA14.2	242	389	286	91	
300	12"	455	410	370	270	944	25	4	12 - Ø28	SA14.2	242	389	286	91	
350	14"	520	470	429	290	1053	27	4	16 - Ø28	SA14.6	242	389	286	91	
400	16"	580	525	480	310	1127	28	4	16 - Ø31	SA14.6	242	389	286	91	

### WORKING CONDITIONS

Maximum working pressure : 16 bar  
Working temperature : 110°C

### STANDARDS

Face to face according to EN558-1 serie 14 and DIN 3202 / F4 short serie .  
Flange connection according to EN 1092-2 ISO PN10/16

