

# DOUBLE EXCENTRIC TYPE BUTTERFLY VALVE WITH GEAR BOX TECWAT

## VP 4201-08

Ref. : VP 4201-08.pas

Rev. : M

Date : 12/11/2015



PA Ventil AB

GO WITH OUR FLOW

### APPLICATION

General use : potable water.

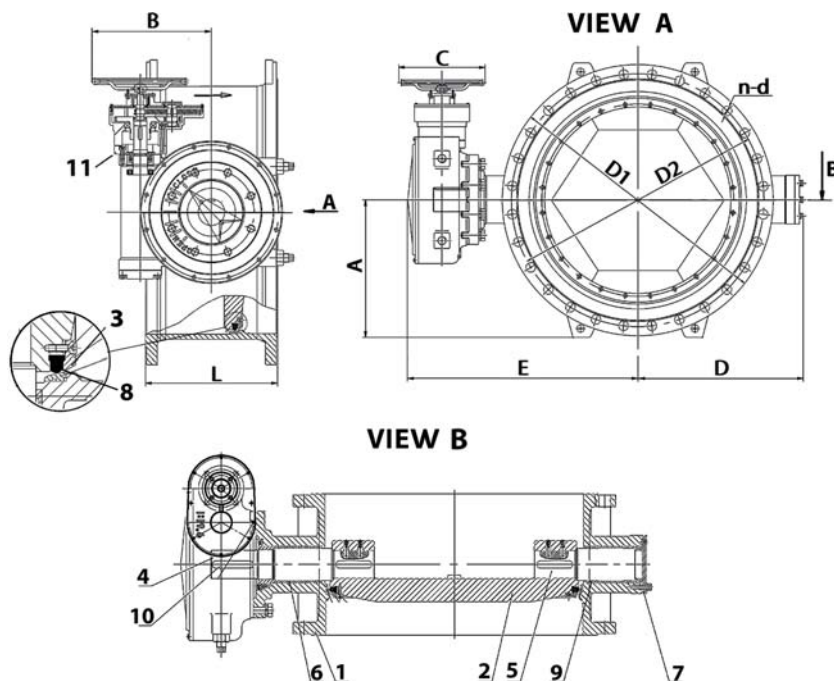
### GENERAL CHARACTERISTICS

TECWAT type : long pattern.  
 Design in according to EN 593.  
 Range : from DN 150 to DN 2000.  
 Assembling with preferential sense  
 Bi-directional on demand.  
 Double excentric type.  
 Replaceable seat, no wrenkling possibility.  
 Food epoxy painting.



### CONSTRUCTION

11	1	Gearbox		
10	2	Key	Stainless steel X20Cr13	DIN: 1.4021 ASTM: AISI 420 BS: 420 S 37
9	2	O-ring	EPDM	
8	1	Sealing ring	EPDM	
7	1	Cover free end	Ductile iron EN-GJS-500-7	DIN: GGG 50 ASTM: A536 70-50-05 BS: 1563 EN-JS1050
6	2	Bearing bush	Al-Bronze	
5	1	Shaft free end	Stainless steel X20Cr13	DIN: 1.4021 ASTM: AISI 420 BS: 420 S 37
4	1	Shaft driven end	Stainless steel X20Cr13	DIN: 1.4021 ASTM: AISI 420 BS: 420 S 37
3	1	Retaining ring	Steel	
2	1	Disc	Ductile iron EN-GJS-500-7	DIN: GGG 50 ASTM: A536 70-50-05 BS: 1563 EN-JS1050
1	1	Body	Ductile iron EN-GJS-500-7	DIN: GGG 50 ASTM: A536 70-50-05 BS: 1563 EN-JS1050
Rep.	Nb.	Designation	Material	



### DIMENSIONS

DN	L	A	B	ØC	D	ØD1	ØD2	E	n-d	Weight (kg)
150 6"	210	147.5	133.2	180	164	285	240	315	8-Ø23	36
200 8"	230	175	184	240	198	340	295	392	8-Ø23	52
250 10"	250	202.5	184	240	219	395	350	413	12-Ø23	65
300 12"	270	227.5	253.4	320	254	445	400	511	12-Ø23	99
350 14"	290	257.5	253.4	320	279	505	460	536	16-Ø23	120
400 16"	310	287.5	320	400	320	565	515	632	16-Ø28	170
450 18"	330	312.5	320	400	359	615	565	662	20-Ø28	198
500 20"	350	340	320	240	393	670	620	713	20-Ø28	251
600 24"	390	395	348	400	450	780	725	780	20-Ø31	356
700 28"	430	452.5	348	400	530	895	840	798	24-Ø31	479
800 32"	470	512.5	385	400	614	1015	950	891	24-Ø34	696
900 36"	510	562.5	385	400	675	1115	1050	950	28-Ø34	882
1000 40"	550	620	430	400	748	1230	1160	1039	28-Ø37	1425
1200 48"	630	732.5	430	400	865	1455	1380	1181	32-Ø41	2123
1400 56"	710	842.5	515	400	1015	1675	1590	1338	36-Ø44	2801
1600 64"	790	962.5	515	400	1161	1915	1820	1463	40-Ø50	3613
1800 72"	870	1062.5	612	400	1324	2115	2020	1712	44-Ø50	5112
2000 80"	950	1167.5	612	400	1437	2325	2230	1817	48-Ø50	6842

Gear box can accepts an electric actuator except for DN150

### WORKING CONDITIONS

Maximum working pressure : 10 bar.  
 Maximum temperature : + 80 °C.

### STANDARDS

Design according to EN 593.  
 Test procedures are established according to standards EN 12266-1 and API 598.  
 Face to face according to standard EN 558-1 serie 14.  
 Connections according to standard EN 1092-2 ISO PN10.  
 Optional certificat of health conformity (ACS) by request.



The photographs and technical art works are not contractual. The specifications of the presented products are open to modifications without previous advice.