

# DOUBLE EXCENTRIC TYPE BUTTERFLY VALVE WITH SQUARE TECWAT

## VP 4241-085

Ref. : VP 4241-085.pas

Rev. : B

Date : 23/06/2014



PA Ventil AB

GO WITH OUR FLOW

### APPLICATION

General use : potable water.

### GENERAL CHARACTERISTICS

TECWAT type : long pattern.  
 Design in according to EN 593.  
 Range : from DN 200 to DN 500.  
 Assembling with preferential sense  
 Bi-directional on demand.  
 Double excentric type.  
 Replaceable seat, no wrenkling possibility.  
 Food epoxy painting.

### CONSTRUCTION

13	1	Square	
12	1	Shaft cover	Ductile iron EN-GJS-500-7
11	1	Lower shaft	Stainless steel 420
10	2	Pin	Stainless steel 420
9	2	Key	Stainless steel 420
8	1	Rubber seat	EPDM
7	1	Retaining ring	Stainless steel 304
6	2	Key	Stainless steel 420
5	1	Shaft bearing	Al-bronze
4	1	Packing gland	Fonte ductile
3	1	Upper shaft	Stainless steel 420
2	1	Disc	Ductile iron EN-GJS-500-7
1	1	Body	Fonte GS EN-GJS-500-7
Pos.	Q-ty.	Description	Material

### DIMENSIONS

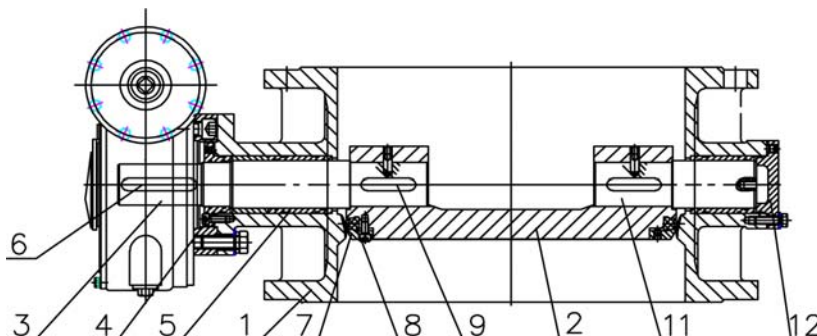
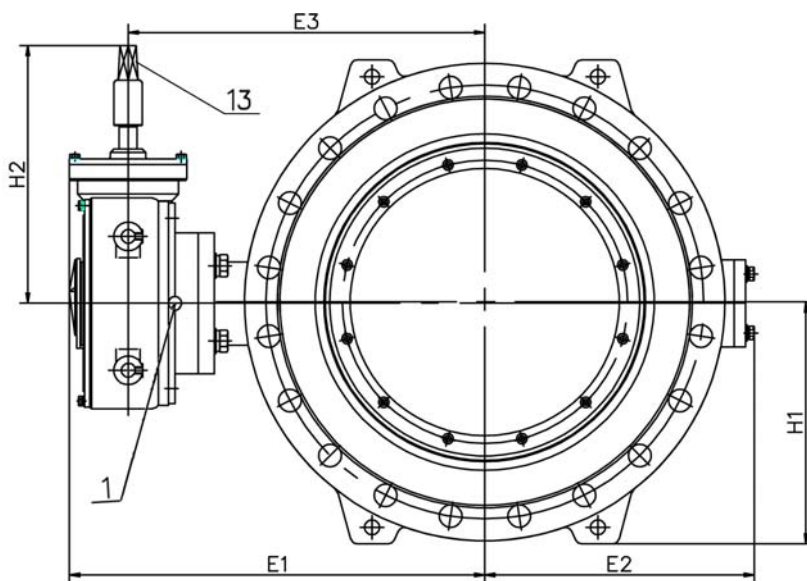
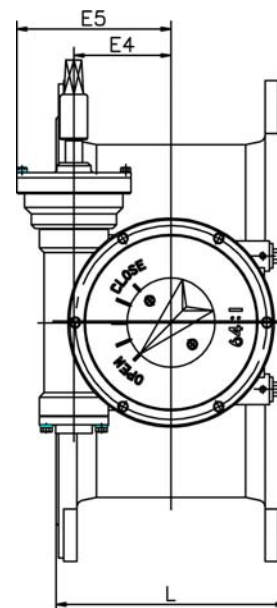
DN		L	E1	E2	E3	E4	E5	H1	H2	Weight (kg)
mm	inch									
200	8"	230	328	198	272	99	64	175	263	49
250	10"	250	393	230	328	136	94	207.5	296	83
300	12"	270	416	254	351	136	94	235	296	101
400	16"	310	515	334	437	186	120	295	334	196
500	20"	350	617	400	530	214	148	362.5	386	317

### WORKING CONDITIONS

Maximum working pressure : 16 bar.  
 Maximum temperature : + 80 °C.

### STANDARDS

Design according to EN 593.  
 Test procedures are established according to standards EN 12266-1 and API 598.  
 Face to face according to standard EN 558-1 serie 14.  
 Connections according to standard EN 1092-2  
 ISO PN16.  
 Optional certificat of health (ACS) conformity by request.



The photographs and technical art works are not contractual. The specifications of the presented products are open to modifications without previous advice.