

DOUBLE EXCENTRIC TYPE BUTTERFLY VALVE WITH ELECTRIC ACTUATOR BERNARD VP 4241-B04

Ref. : VP 4241-B04.pas

Rev. : G

Date : 10/05/2016



PA Ventil AB

GO WITH OUR FLOW

APPLICATION

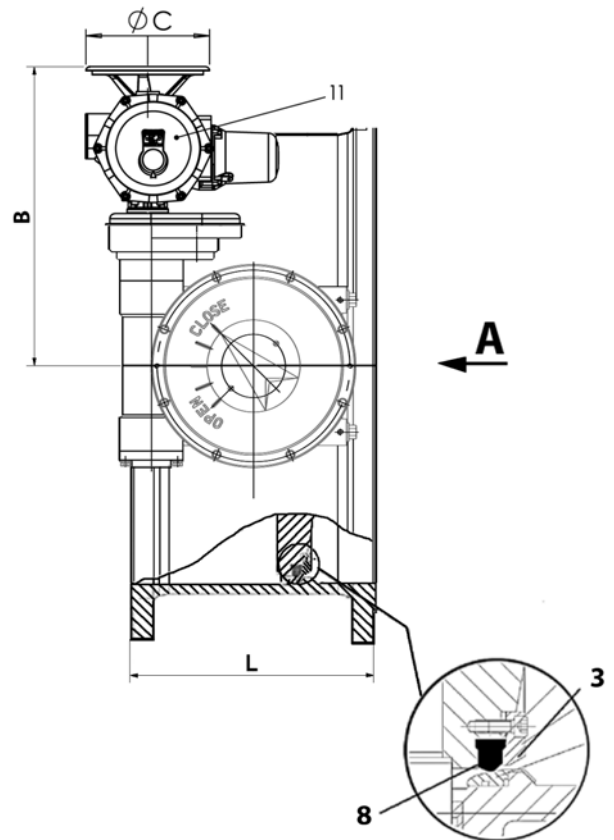
General use : potable water.

GENERAL CHARACTERISTICS

TECWAT type : long pattern.
Design in according to EN 593.
Range : from DN 100 to DN 2000.
Assembling with preferential sense
Bi-directional on demand.
Double excentric type.
Replaceable seat, no wrenkling possibility.
Food epoxy painting.

CONSTRUCTION

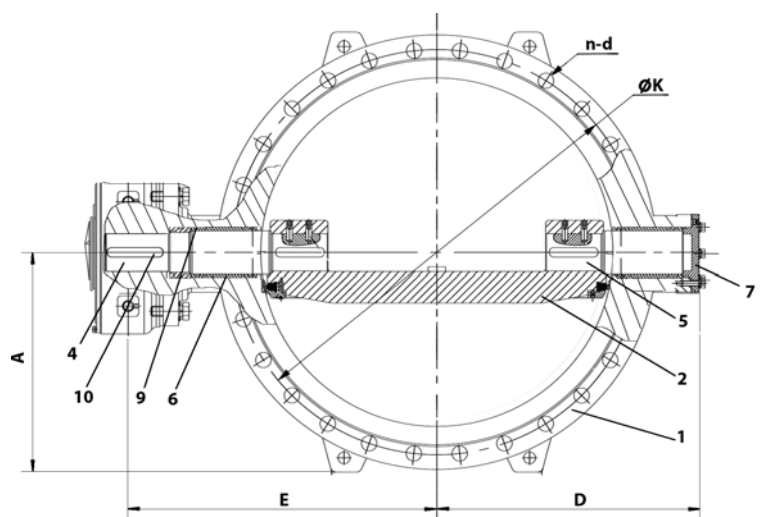
11	1	Electric actuator		BERNARD
10	2	Key	Stainless steel X20Cr13	DIN: 1.4021 ASTM: AISI 420 BS: 420 S 37
9	2	O-ring	EPDM	
8	1	Sealing ring	EPDM	
7	1	Cover free end	Ductile iron EN-GJS-500-7	DIN: GGG 50 ASTM: A536 70-50-05 BS: 1563 EN-JS1050
6	2	Bearing bush	Al-Bronze	
5	1	Shaft free end	Stainless steel X20Cr13	DIN: 1.4021 ASTM: AISI 420 BS: 420 S 37
4	1	Shaft driven end	Stainless steel X20Cr13	DIN: 1.4021 ASTM: AISI 420 BS: 420 S 37
3	1	Retaining ring	Steel	
2	1	Disc	Ductile iron EN-GJS-500-7	DIN: GGG 50 ASTM: A536 70-50-05 BS: 1563 EN-JS1050
1	1	Body	Ductile iron EN-GJS-500-7	DIN: GGG 50 ASTM: A536 70-50-05 BS: 1563 EN-JS1050
Rep.	Nb.	Designation	Material	



VIEW A

DIMENSIONS

DN	L	A	B	ØC	D	ØK	E	n-d	Actuator type	Weight (kg)
100 4"	190	117	376	300	133	180	284	12-Ø19	ASM6	47
150 6"	210	147.5	376	300	164	240	315	12-Ø23	ASM6	52
200 8"	230	175	413	300	198	295	392	12-Ø23	ASM6	70
250 10"	250	207.5	454	400	230	355	488	12-Ø28	ASM6	102
300 12"	270	235	454	400	254	410	511	12-Ø28	ASM10	126
350 14"	290	265	466	400	295	470	607	16-Ø28	ASM10	184
400 16"	310	295	541	300	334	525	637	16-Ø31	ASM16	226
450 18"	330	325	592.5	300	368	585	688	20-Ø31	ASM6	317
500 20"	350	362.5	589.5	400	400	650	730	20-Ø34	ASM10	383
600 24"	390	425	664.5	300	480	770	748	20-Ø37	ASM16	548
700 28"	430	460	695.5	300	563	840	840	24-Ø37	ASM16	782
800 32"	470	517.5	695.5	300	623	950	898	24-Ø41	ASM16	967
900 36"	510	567.5	664	400	698	1050	989	28-Ø41	ASM10	1302
1000 40"	550	635.5	764.5	300	766	1170	1082	28-Ø44	ST14	1733
1200 48"	630	747.5	817	300	910.5	1390	1238	32-Ø50	ST14	2813
1400 56"	710	847.5	917	300	1063	1590	1464	36-Ø50	ST14	4133
1600 64"	790	970	917	300	1172	1820	1580	36-Ø52	ST14	5270
1800 72"	870	1070	1074	300	1413	2020	1902	36-Ø52	ST30	8033
2000 80"	950	1177.5	1121	450	1583	2230	1955	48-Ø62	ST30	10054



WORKING CONDITIONS

Maximum working pressure : 16 bar.
Maximum temperature : + 80 °C.

STANDARDS

Design according to EN 593.
Test procedures are established according to standards EN 12266-1 and API 598.
Face to face according to standard EN 558-1 serie 14.
Connections according to standard EN 1092-2 ISO PN16.
Optional certificat of health conformity (ACS) by request.

