

# CLASS 150 HIGH PERFORMANCE BUTTERFLY VALVE TECSUP TYPE

## VP 5441-08

Ref. : VP5441-08.pas

Rev. : B

Date : 17/06/09



PA Ventilert AB

GO WITH OUR FLOW

### APPLICATION

General use : Liquids, steam, gases, fluids in thermal power plants, petrochemical industries...

### GENERAL CHARACTERISTICS

From DN 200 to 600.  
Wafer type.  
Bi-directional sealing.  
Double offset disc.  
Control by gear box.

### CONSTRUCTION

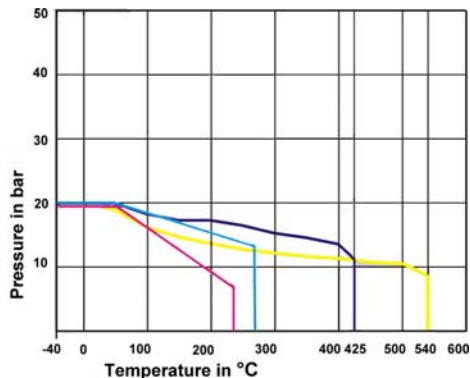
6	1	Gearbox		
5	1	Seat retainer	Stainless steel 316	
4	1	Stem	Stainless steel 17-4PH	
3	1	Seat	PTFE / Stainless steel	
2	1	Disc	Stainless steel 316	DIN: GX5CrNiMo 19-11-2 ASTM: Grade A351 CF8M BS: 316 C16
1	1	Body	Steel A216WCB	DIN: GS-C25 ASTM: A216 Grade WCB BS: 161 Grade 430E
Pos.	Qty.	Description	Material	

### DIMENSIONS

DN		A	B	C	ØD	d	E	F	ØH/M	ØK	Weight (kg)
mm	inch										
200	8"	64	280	215	219	186	273	230	-	-	38
250	10"	71	300	235	273	231	273	230	-	-	58
300	12"	81	345	285	324	293	298	312	25,4	431,8	74
350	14"	92	400	320	356	317	298	312	28,6	476,3	99
400	16"	102	425	380	403	364	315	369	28,6	539,8	147
450	18"	115	460	410	457	415	330	554	31,6	577,9	189
500	20"	128	510	440	508	459	330	554	1"1/8	635	242
600	24"	154	600	540	610	542	440	597	1"1/4	749,3	347

Internal diameter of pipe should be at least 3 mm (DN200 to 300), 6mm (DN350 to 500), and 13mm (DN600) more than 'd'.

### WORKING CONDITIONS



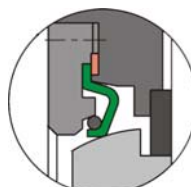
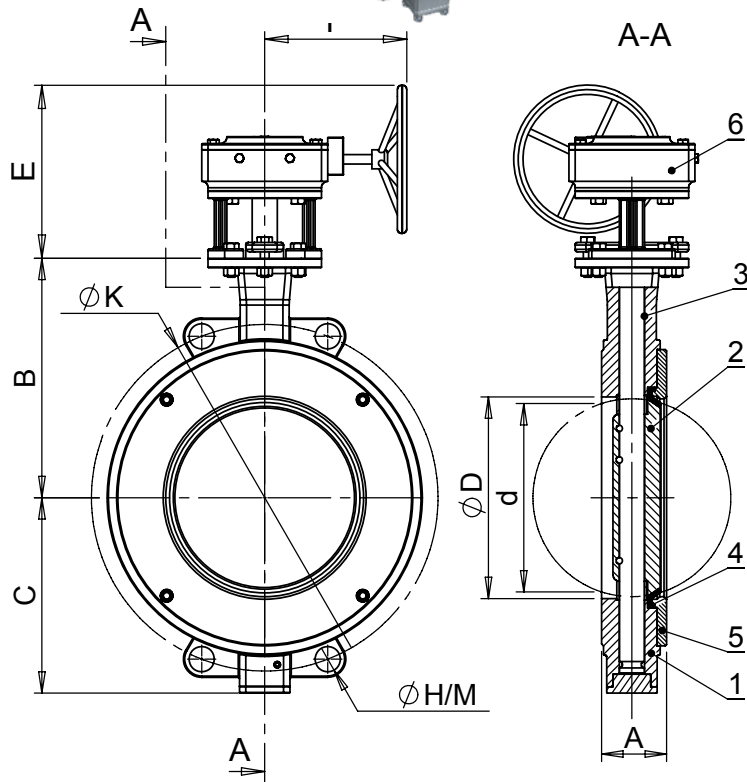
- Class 150
- WCB (metal seat)
- CF8 & CF8M (metal seat)
- PTFE
- CFT / GFT (RPTFE)

Test procedures are established according to standards API 598 and FCI 70-2 rate IV.

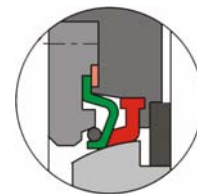
Body : 30 bar.  
Seat : 22 bar.  
Metal seat : 4 bar.

### STANDARDS

Design according to standard API 609.  
Face to face according to standard API 609  
Between flanges ends according to standard ASME B16.5  
CLASS 150.



Metal / metal tightness



PTFE tightness



The photographs and technical art works are not contractual. The specifications of the presented products are open to modifications without previous advice.