

DOUBLE ECCENTRIC BUTTERFLY VALVE

VP 6451-02PTF

Ref. : VP 6451-02PTF

Date: 29/10/2013

Rev. : Initial



PA Ventil AB

GO WITH OUR FLOW

APPLICATION

General use : for all common fluids.

GENERAL CHARACTERISTICS

From DN50 to DN150.
 100% tightness.
 Wafer type for mounting between ISO PN25 flanges
 Double eccentric bidirectional with preferential flow direction indicated by the arrow.
 Fire safe according to ISO 10497 : 2010
 ISO 5211 mounting pad
 Stainless steel CF8M disc, full crossing stem.
 10 positions ductile iron handle, with locking device.

CONSTRUCTION

10	1	Handle	Ductile iron
9	1	Bottom cover	Stainless steel ASTM A351 CF8M
8	2	Thrust ring	Stainless steel ASTM A240 Gr. 316
7	1	Gland	Stainless steel ASTM A351 CF8
6	1	Gland packing	Graphite
5	1	Stem	Stainless steel ASTM A564 630
4	1	Retainer	Stainless steel ASTM A351 CF8
3	1	Seat	PTFE with 15% graphite
2	1	Disc	Stainless steel ASTM A351 CF8M
1	1	Body	Stainless steel ASTM A351 CF8M
Pos.	Q-ty	Description	Material

DIMENSIONS

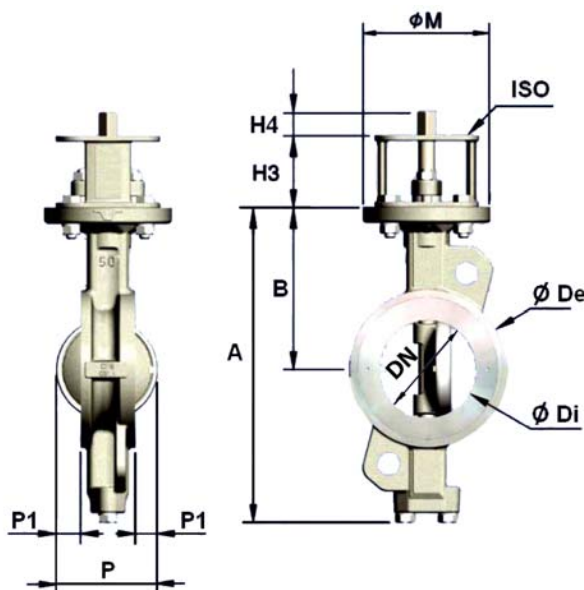
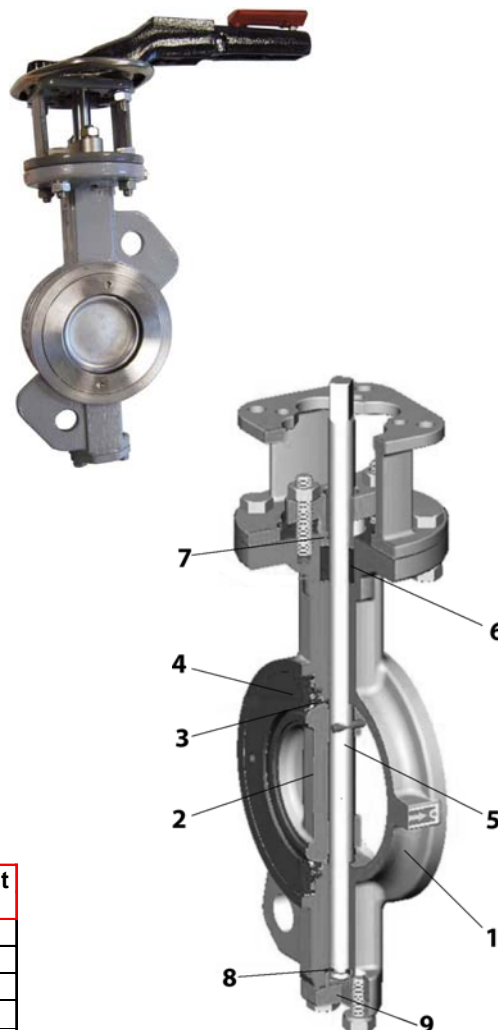
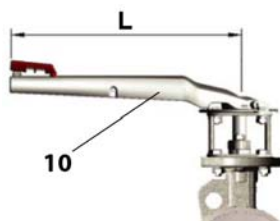
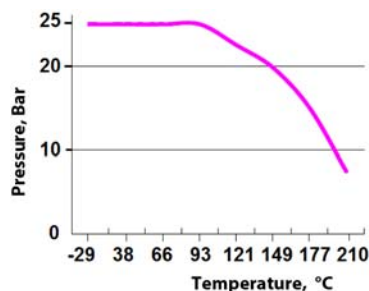
DN		L	A	B	H3	H4	ØM	P	P1	ØDe	ØDi	ISO	Weight (kg)
mm	inch												
50	2"	200	217	118	60	18	90	47	2	92	37	F07	4.6
65	2 1/2"	200	235	125	60	18	90	76	15	108	63	F07	5.2
80	3"	250	268	140	70	23	125	91	22	126	78	F10	7.8
100	4"	250	307	157	70	23	125	103	25	153	95	F10	9.8
125	5"	355	333	170	70	23	125	129	36	184	118	F10	13.6
150	6"	355	361	185	70	23	125	156	50	212	143	F10	15.1

WORKING CONDITIONS

Maximum working temperature : -29°C / +210°C
 Maximum working pressure : 25 bar.

STANDARDS

Tightness tests according to API 598 and ISO 5208.
 Face to face according to API 609.
 Wafer connection according to EN 1092-1 PN25.



The photographs and technical art works are not contractual. The specifications of the presented products are open to modifications without previous advice.