

DOUBLE ECCENTRIC BUTTERFLY VALVE

VP 6451-08PTF

Ref. : VP 6451-08PTF

Date: 29/10/2013

Rev. : Initial



PA Ventiler AB

GO WITH OUR FLOW

APPLICATION

General use : for all common fluids.

GENERAL CHARACTERISTICS

From DN50 to DN600.
100% tightness.
Wafer type for mounting between ISO PN25 flanges
Double eccentric bidirectional with preferential flow direction indicated by the arrow.
Fire safe according to ISO 10497 : 2010
ISO 5211 mounting pad
Stainless steel CF8M disc, full crossing stem.
Operating by gear box.

CONSTRUCTION

10	1	Gear box	
9	1	Bottom cover	Stainless steel ASTM A351 CF8M
8	2	Thrust ring	Stainless steel ASTM A240 Gr. 316
7	1	Gland	Stainless steel ASTM A351 CF8
6	1	Gland packing	Graphite
5	1	Stem	Stainless steel ASTM A564 630
4	1	Retainer	Stainless steel ASTM A351 CF8
3	1	Seat	PTFE with 15% graphite
2	1	Disc	Stainless steel ASTM A351 CF8M
1	1	Body	Stainless steel ASTM A351 CF8M
Pos.	Q-ty	Description	Material

DIMENSIONS

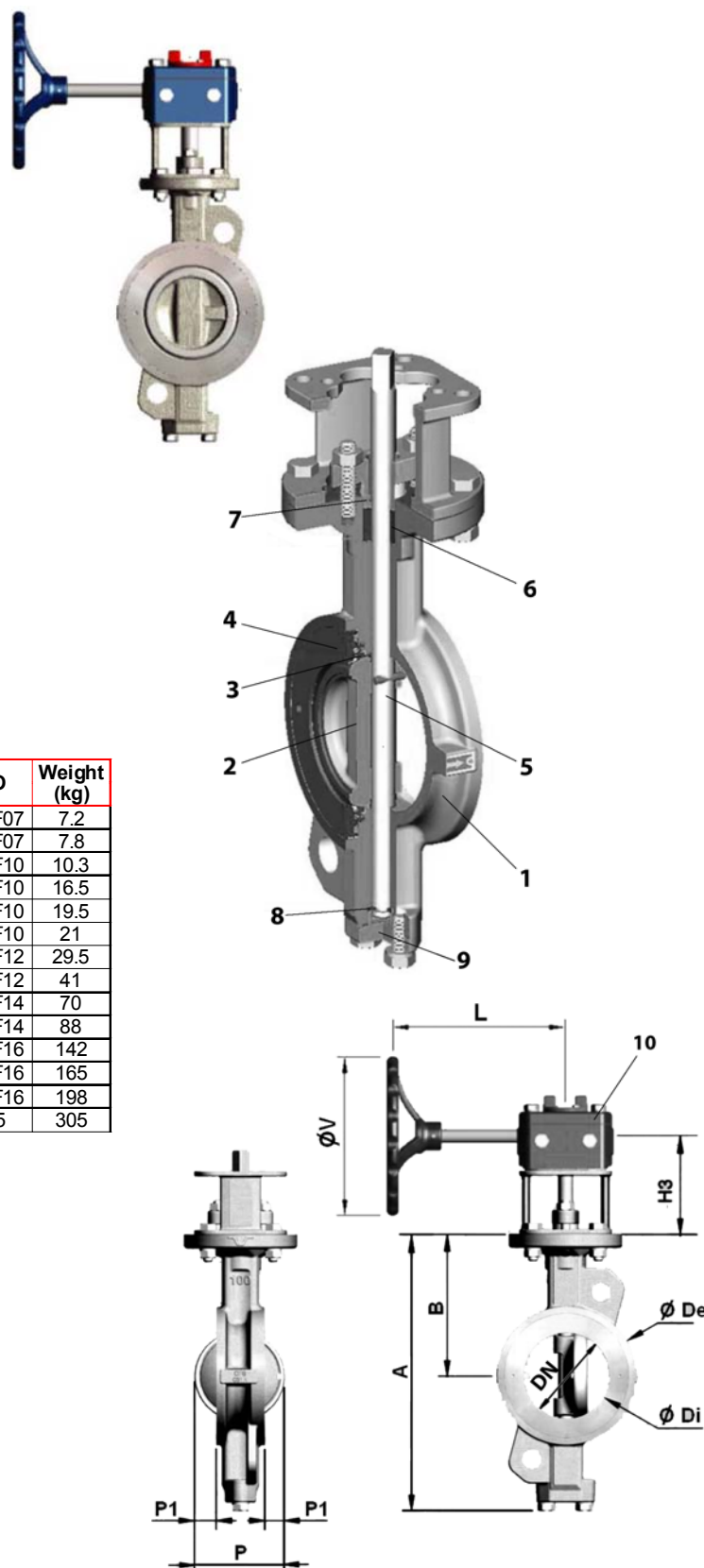
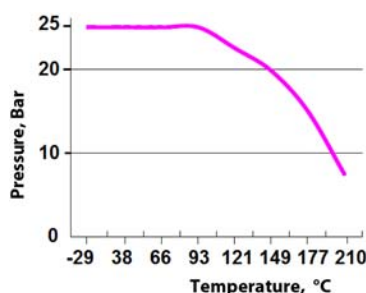
DN		L	ØV	A	B	H3	H4	ØM	P	P1	ØDe	ØDi	ISO	Weight (kg)
mm	inch													
50	2"	155	150	217	118	97	18	90	47	2	92	37	F05/F07	7.2
65	2 1/2"	155	150	235	125	97	18	90	76	15	108	63	F05/F07	7.8
80	3"	155	150	268	140	107	23	125	91	22	126	78	F07/F10	10.3
100	4"	195	200	307	157	139.5	23	125	103	25	153	95	F07/F10	16.5
125	5"	195	200	333	170	111.5	23	125	129	36	184	118	F07/F10	19.5
150	6"	195	200	361	185	111.5	23	125	156	50	212	143	F07/F10	21
200	8"	232	310	426	220	121	28	150	202	70	268	188	F10/F12	29.5
250	10"	232	310	498	260	121	28	50	248	90	326	236	F10/F12	41
300	12"	280	400	559	290	153	37	175	290	106	375	282	F12/F14	70
350	14"	280	400	632	326	153	37	175	342	125	416	322	F12/F14	88
400	16"	307	400	712	370	176	47	210	382	140	476	371	F14/F16	142
450	18"	307	400	765	395	176	47	210	428	157	534	418	F14/F16	165
500	20"	307	400	829	430	176	56	210	481	177	588	466	F14/F16	198
600	24"	307	400	945	490	202	56	300	574	210	692	570	F25	305

WORKING CONDITIONS

Maximum working temperature : -29°C / +210°C
Maximum working pressure : 25 bar.

STANDARDS

Tightness tests according to API 598 and ISO 5208.
Face to face according to API 609.
Wafer connection according to EN 1092-1 PN25.



The photographs and technical art works are not contractual. The specifications of the presented products are open to modifications without previous advice.