

# DOUBLE FLANGE TYPE BUTTERFLY VALVE WITH GEAR BOX TECLARGE FL

## VPE 4548-08

Ref. : VPE 4548-08.pas

Rev. : Initial

Date : 24/06/2016



PA Ventil AB

GO WITH OUR FLOW

### APPLICATION

General use : water, sludge, etc.

### GENERAL CHARACTERISTICS

Design in accordance with NF EN 593.  
Tightness in both ways.  
Sleeve internally reinforced in aluminium giving a low torque.  
Self lubricant bearing in copper alloy.

### CONSTRUCTION

11	1	Handwheel	Ductile iron
10	1	Gear box	Ductile iron
9	1	Cover	Ductile iron
8		Bushing	Copper alloy
7	1	O ring	NBR
6		Bushing	Copper alloy
5	1	Sleeve	Heat EPDM
4		Pin	Stainless steel 410
3	1	Disc	Ductile iron EN-GJS400-15
2		Stem	Stainless steel 410
1	1	Body	Ductile iron EN-GJS400-15
Pos.	Q-ty	Description	Material

### WORKING CONDITIONS

Maximum working pressure : 16 bar.  
Maximum working temperature : -15 °C / +130 °C.  
Peak temperature : -30°C / + 150°C

### STANDARDS

Manufacture according to the requirements of the European directive 2014/68/UE «Equipments under pressure» : modulate H.  
Pressure test according to standards EN 12266-1, DIN 3230, BS 5154 and ISO 5208 :

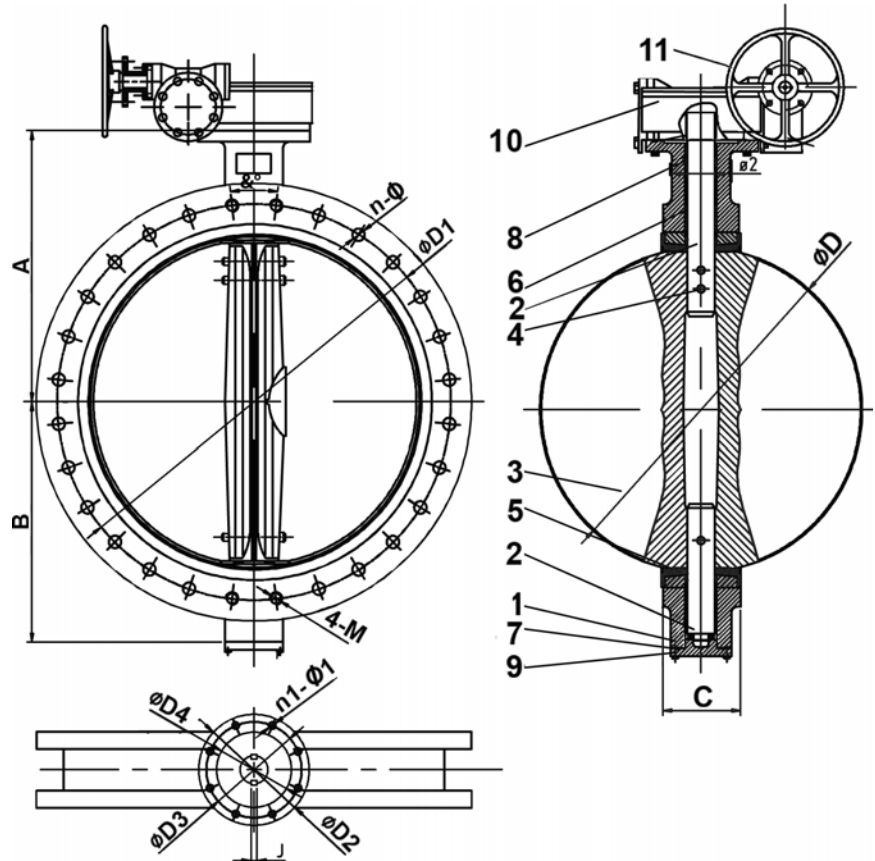
Body : 24 bar.

Seat : 17.6 bar.

Face to face according to standard EN 558-1 serie 20, ISO 5752 serie 20 and DIN 3202.  
Flange type ISO PN16 connections according to standard EN 1092-2.

### DIMENSIONS

DN		A	B	C	ØD	Ø2	ISO	ØD2	ØD3	ØD4	n1-Ø1	ØD1	n-Ø	4-M	g°	J	Weight (kg)
mm	inch																
350	14"	368	275	76,5	333,5	31,6	F14	175	140	100	4-18	470	16-28	-	22,5	8	55,3
400	16"	398	300	102	389,6	37,9	F14	175	140	100	4-18	525	16-31	-	22,5	10	123
450	18"	428	328	114	440,5	37,9	F14	175	140	100	4-18	585	20-31	-	18	10	146,5
500	20"	485	351	127	491,6	45,7	F14	175	140	100	4-18	650	20-28	-	18	14	159,5
600	24"	568	440	151	592,5	50,6	F16	210	165	130	4-22	770	20-34	-	18	16	282
700	28"	628	508	163	695	63,4	F25	300	254	200	8-18	840	20-37	4-M33	15	18	444
800	32"	672	530	188	794,7	63,4	F25	300	254	200	8-18	950	20-41	4-M36	15	18	555
900	36"	721	630	203	864,7	75	F25	300	254	200	8-18	1050	24-41	4-M36	12,85	20	970
1000	40"	802	692	216	965	85	F25	300	254	200	8-18	1170	24-44	4-M39	12,85	22	1005
1200	48"	948	844	276	1160,6	105	F30	350	298	230	8-22	1390	28-50	4-M45	11,25	28	1360



The photographs and technical art works are not contractual. The specifications of the presented products are open to modifications without previous advice.