

THREADED BACKFLOW PREVENTER

X 2101

Ref. : X 2101.pas

Rev. : B

Date : 05/08/2011



PA Ventiler AB

GO WITH OUR FLOW

APPLICATION

Collective or industrial heating, sprinkler network, watering and irrigation, swimming pool installation, air treatment installation, water treatment with non authorized products by medical network, etc.

GENERAL CHARACTERISTICS

Brass body, plastic "Air guard" - PN 10.
Union BSP threaded ends - PN 10.

CONSTRUCTION

2 1		Air guard	Plastic	
1 1		Body	Brass CuZn39Pb2	DIN: CuZn39Pb2 ASTM: B124 C37700 BS: 12164 CZ121
Pos.	Qty.	Description	Material	

DIMENSIONS

DN		L	A	Weight (kg)
mm	inch			
15	1/2"	121	129	0,59
20	3/4"	151	129	0,66

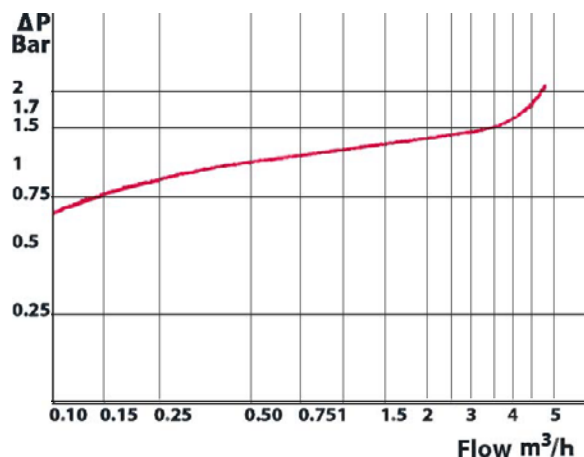
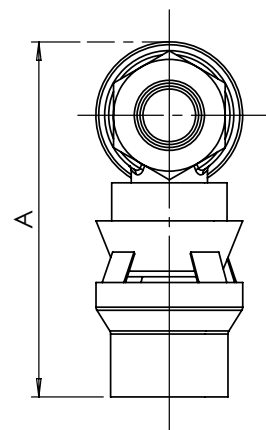
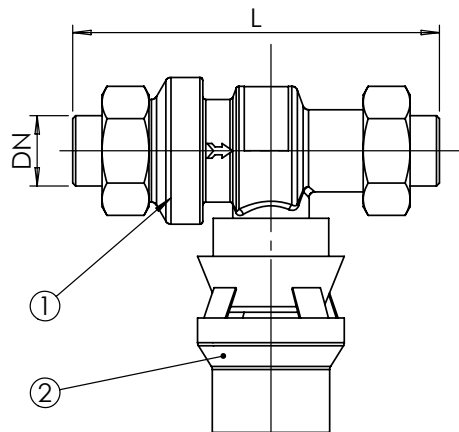
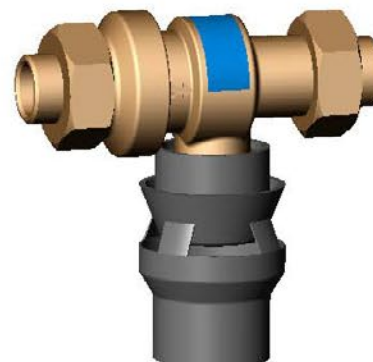
WORKING CONDITIONS

Maximum working pressure : 10 bar.
Maximum temperature : + 65°C.

Pressure test according to standards
EN 12266-1, DIN 3230, BS 5154 and ISO 5208 :
Body : 15 bar.
Seat : 11 bar.

STANDARDS

BSP threaded according to standard ISO 228-1.



The photographs and technical art works are not contractual. The specifications of the presented products are open to modifications without previous advice.