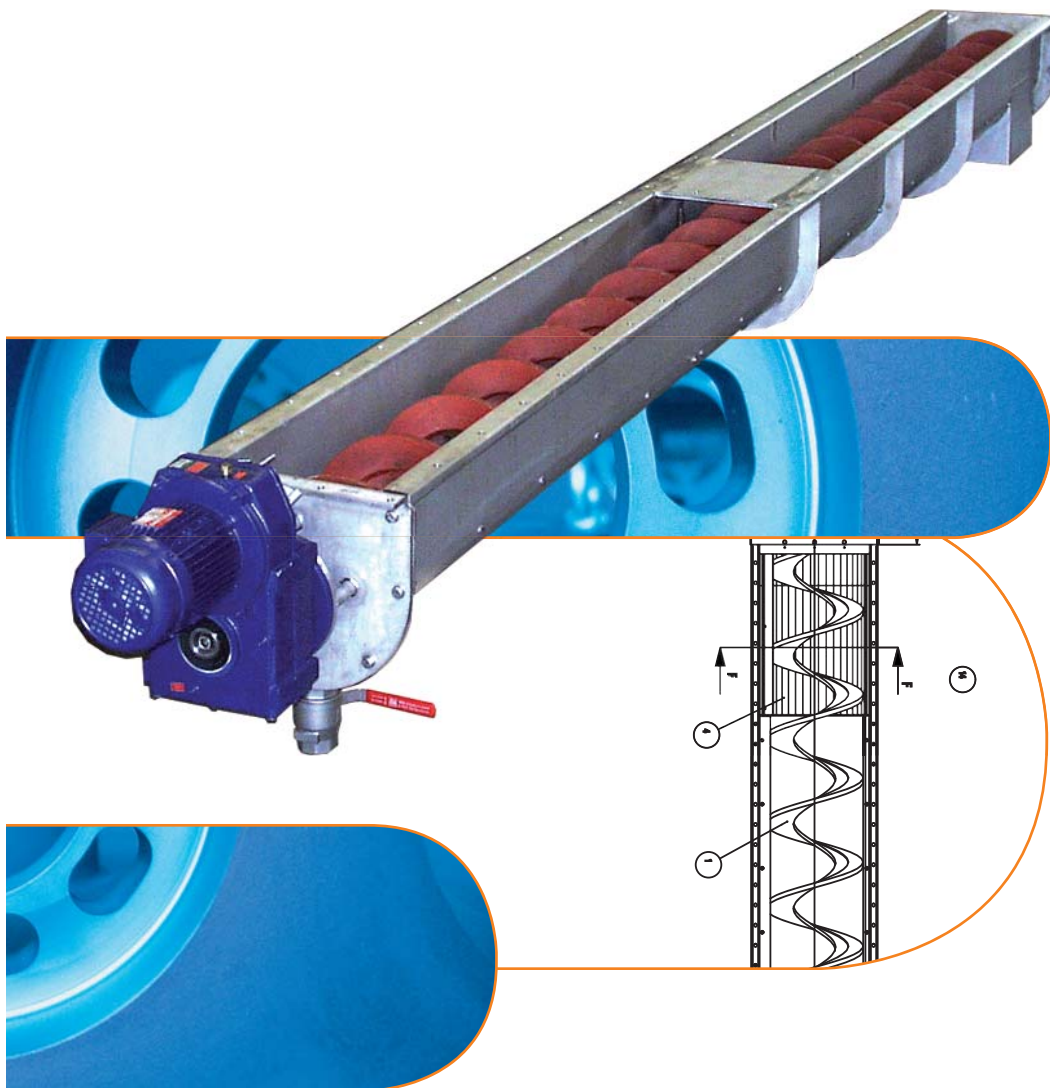


Mechanical Engineering

Spiral Conveyors



Maschinenbau Lohse GmbH
Unteres Paradies 63 · 89522 Heidenheim
Postfach 1565 · 89505 Heidenheim
phone +49(0)7321 / 755-79 · fax +49(0)7321 / 755-93
server.mb@lohse-gmbh.de ·
www.lohse-gmbh.de

Application

Spiral conveyors are suitable for transporting various materials. The shaftless design allows dry and wet, coarse and fine-particle, homogenous and inhomogeneous materials to be conveyed.

Construction

- U-shaped stainless steel tub including stiffeners for high rigidity
- screwed cover over U-shaped tub
- shaftless S355 stainless steel conveyor spirals
- wear resistant, stainless steel strip or plastic panel coating of U-shaped tub
- conveyor spirals supported on one side
- commercial flanged geared motor with hollow shaft
- optional sealing of drive shaft by stuffing box packing
- optional drainage area
- optional receiver tank for separation of sediments.

Individual application of spiral conveyors for transport is feasible in some industries. A spiral conveyor must therefore be designed for its application.

Standard sizes

type	inside width vat [mm]	Ø spiral [mm]
U 200	200	160
U 320	320	280
U 500	500	460
U 600	600	530

Other sizes on request.

