

Ductile Iron Grooved Body Butterfly Valve

Fire Protection • Grooved Mechanical Style Per ISO 6182 & ANSI C606 • Ductile Iron Body •
Indoor/Outdoor Service • Elastomer Encapsulated Disc • Optional Internal Supervisory Switches

300 PSI/ 20.6 Bar Non-Shock Cold Working Pressure
Grooved End Connections 2" through 12" Sizes

UL/ULC LISTED •
FM APPROVED • EPOXY COATED



GD-4863-8N
With Supervisory Switch
GD-4863-4N
Without Supervisory Switch

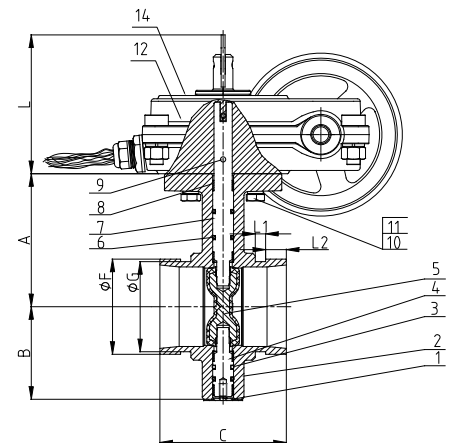
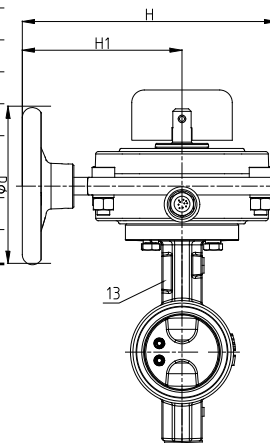
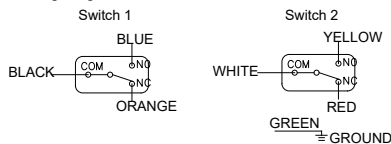
MATERIAL LIST

PART	SPECIFICATION
1. Plug	EPDM
2. Body	ASTM A536 65-45-12
3. O-Ring	Buna
4. Bottom Stem	ASTM A276 S431 Stainless Steel
5. Disc	ASTM A536 65-45-12, EPDM Coated
6. O-Ring	Buna
7. Upper Stem	ASTM A276 S431 Stainless Steel
8. Bushings	UNS S30400 Stainless Steel, PTFE Lined
9. Cylindrical Shear Pin	UNS S30400 Stainless Steel
10. Hex HD Cap Screw	Carbon Steel Zinc Coated
11. Lock Washer	Steel Zinc Coated
12. Gear Operator W/O SW	ASTM A536 65-45-12 Body
12. Gear Operator W/ SW	ASTM A536 65-45-12 Body
13. Name Plate	Aluminum
14. Data Plate	Aluminum

Signal description:

1. Switch parameters: 16A 1/2HP 125/250VAC

2. Wiring diagram:



DIMENSIONS — WEIGHTS

VALVE SIZE	A	B	C	FØ	GØ	L	L1	L2	H	H1	Ød	WEIGHT
inch mm	inch mm	inch mm	inch mm	inch mm	inch mm	inch mm	inch mm	inch mm	inch mm	inch mm	inch mm	lbs kg
2	50 3.50 89	2.50 65	3.19 81	2.37 60.3	2.25 57.2	4.27 108.5	0.31 7.9	0.63 15.9	7.96 202.2	5.00 127.0	5.04 128	17.6 8.0
2½	65 4.02 102	2.80 71	3.82 97	2.87 73.0	2.72 69.1	4.27 108.5	0.31 7.9	0.63 15.9	7.96 202.2	5.00 127.0	5.04 128	18.9 8.6
-	76 4.02 102	2.80 71	3.82 97	3.00 76.1	2.84 72.3	4.27 108.5	0.31 7.9	0.63 15.9	7.96 202.2	5.00 127.0	5.04 128	18.7 8.5
3	80 4.29 109	3.19 81	3.82 97	3.50 88.9	3.34 84.9	4.27 108.5	0.31 7.9	0.63 15.9	7.96 202.2	5.00 127.0	5.04 128	20.3 9.2
4	100 5.04 128	3.74 95	4.57 116	4.50 114.3	4.33 110.1	4.27 108.5	0.38 9.5	0.63 15.9	7.96 202.2	5.00 127.0	5.04 128	23.6 10.7
5	125 5.55 141	4.37 111	5.93 148	5.56 141.3	5.39 137.0	4.27 108.5	0.38 9.5	0.63 15.9	7.96 202.2	5.00 127.0	5.04 128	30.2 13.7
-	165 6.02 153	5.24 133	5.83 148	6.50 165.1	6.33 160.9	4.27 108.5	0.38 9.5	0.63 15.9	7.96 202.2	5.00 127.0	5.04 128	34.6 15.7
6	150 6.02 153	5.24 133	5.83 148	6.63 168.3	6.46 164.0	4.27 108.5	0.38 9.5	0.63 15.9	8.46 215	5.49 139.5	8.86 225	40.0 18.1
8	200 7.24 184	6.46 164	5.24 133	8.63 219.1	8.44 214.4	4.27 108.5	0.44 11.1	0.75 19.1	10.79 274	7.81 198.5	8.86 225	50.1 22.7
10	250 8.50 216	7.72 196	6.26 159	10.75 273.0	10.56 268.3	4.27 108.5	0.50 12.7	0.75 19.1	10.79 274	7.81 198.5	8.86 225	74.3 33.7
12	300 10.00 254	8.90 226	6.50 165	12.75 323.9	12.53 318.3	4.65 118.0	0.50 12.7	0.75 19.1	11.56 293.5	7.81 198.5	8.86 225	107.2 48.6

- Notes**
- Grooved style butterfly valve designed for grooved style connection per ANSI/AWWA C606
 - Rated operating pressure 300 PSI at temperatures 32°F to 180°F (0°C to 82°C)
 - Listed and approved for fire protection as indicating shut off valve UL/ULC/FM and VdS
 - Operating disc is EPDM encapsulated ductile iron
 - Body is ductile iron coated with fusion bonded epoxy per ANSI/AWWA C550
 - Furnished with or without supervisory switches

Visit our website for the most current information.