

# Ductile Iron Wafer Body Butterfly Valve

Fire Protection • Wafer Style • Ductile Iron Body • Indoor and Outdoor Service •  
Elastomer Encapsulated Disc • Optional Internal Supervisory Switches

**300 PSI/ 20.6 Bar Non-Shock Cold Working Pressure**  
**Wafer End Connections 2" through 12" Sizes**

UL/ULC LISTED •  
FM APPROVED • EPOXY COATED

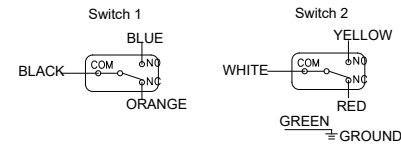
## MATERIAL LIST

PART	SPECIFICATION
1. Plug	EPDM
2. Body	ASTM A536 65-45-12
3. O-Ring	Buna
4. Bottom Stem	ASTM A276 431 Stainless Steel
5. Disc	ASTM A536 65-45-12, EPDM Coated
6. Hex HD Cap Screw	Carbon Steel Zinc Coated
7. Lock Washer	Steel Zinc Coated
8. Gear Operator W/O SW	ASTM A536 65-45-12 Body
8. Gear Operator W/ SW	ASTM A536 65-45-12 Body
9. Cylindrical shear pin	UNS S30400 Stainless Steel
10. Bushings	UNS S30400 Stainless Steel, PTFE Lined
11. Upper Stem	ASTM A276 431 Stainless Steel
12. O-Ring	Buna
13. Face Gasket	EPDM
14. Name Plate	Aluminum
15. Data Plate	Aluminum

### Signal description:

1. Switch parameters: 16A 1/2HP 125/250VAC

2. Wiring diagram:

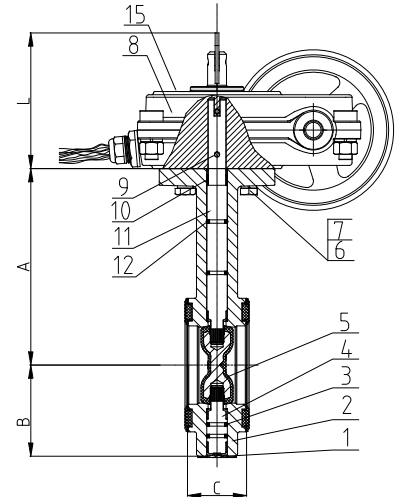
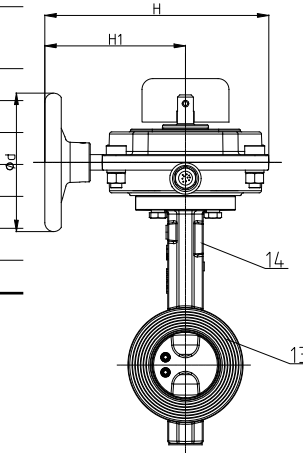


**WD-4863-8N**

With Supervisory Switch

**WD-4863-4N**

Without Supervisory Switch



## DIMENSIONS — WEIGHTS

VALVE SIZE	A	B	C	L	H	H1	Ød	WEIGHT
inch mm	inch mm	inch mm	inch mm	inch mm	inch mm	inch mm	inch mm	lbs kg
2	50 5.52 140.5	2.56 65	1.69 43	4.27 108.5	7.96 202.2	5 127	5.04 128	18.7 8.5
2½	65 6 153	2.79 71	1.81 46	4.27 108.5	7.96 202.2	5 127	5.04 128	19.5 8.9
3	80 6.2 157.5	3.19 81	1.81 46	4.27 108.5	7.96 202.2	5 127	5.04 128	20.9 9.5
4	100 6.93 176	3.74 95	2.05 52	4.27 108.5	7.96 202.2	5 127	5.04 128	24.0 10.9
5	125 7.52 191	43.7 111	2.2 56	4.27 108.5	7.96 202.2	5 127	5.04 128	27.8 12.6
6	150 7.97 202.5	5.24 133	2.2 56	4.27 108.5	8.46 215	5.49 139.5	8.86 225	36.0 16.3
8	200 9.59 243.5	6.46 164	2.36 60	4.27 108.5	10.79 274	7.81 198.5	8.86 225	47.9 21.7
10	250 10.75 273	7.72 196	2.65 68	4.27 108.5	10.79 274	7.81 198.5	8.86 225	67.9 30.8
12	300 12.24 311	8.9 226	3.07 78	4.65 118	11.56 293.5	7.81 198.5	8.86 225	98.2 44.6

### Notes

- Wafer style butterfly valve designed for use between flanges ASME B16.1 Class 125 or EN1092 PN16
- Rated operating pressure 300 PSI at temperatures 32°F to 180°F (0°C to 82°C)
- Listed and approved for fire protection as Indicating shut off valve UL/ULC/FM and VdS
- Operating disc is EPDM encapsulated ductile iron
- Body is ductile iron coated with fusion bonded epoxy per ANSI/AWWA C550
- Integral EPDM rubber flange face gaskets
- Furnished with or without supervisory switches